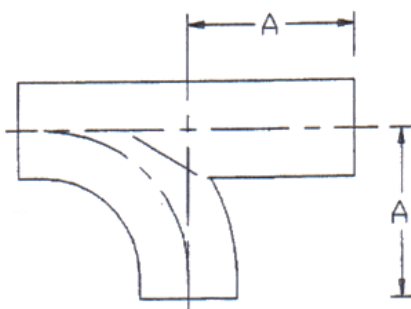


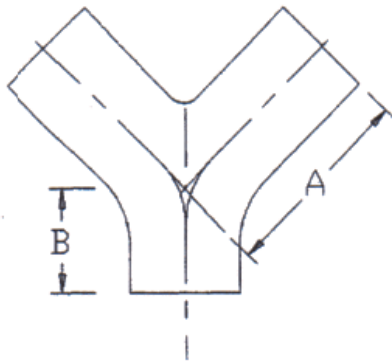
Swept Tee, 'Y'-Piece & Crosses

Swept Tee



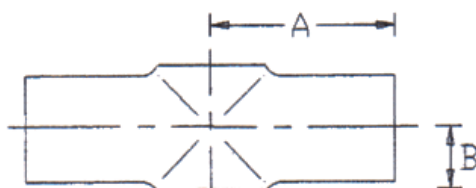
SIZE	DIM A	CODE
1"	44	P216-10
1 1/2"	64	P216-15
2"	89	P216-20
2 1/2"	114	P216-25
3"	134	P216-30
4"	174	P216-40
154mm	225	***

Y Piece



SIZE	DIM A	DIM B	CODE
1"	44	22	P215-10
1 1/2"	64	31	P215-15
2"	89	44	P215-20
2 1/2"	114	58	P215-25
3"	134	67	P215-30
4"	174	85	P215-40

Crosses



SIZE	DIM A	DIM B	Equal X	Pulled X
1"	44	15	P217-10	P218-10
1 1/2"	64	22	P217-15	P218-15
2"	89	28	P217-20	P218-20
2 1/2"	114	35	P217-25	P218-25
3"	134	41	P217-30	P218-30
4"	174	54	P217-40	P218-40