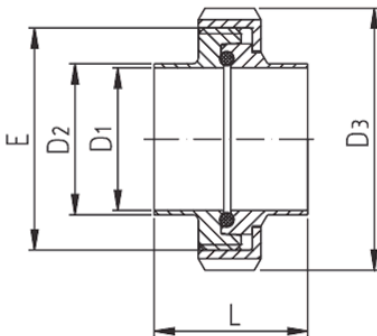


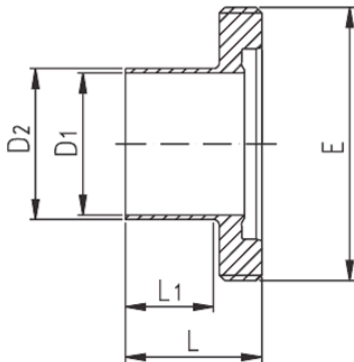
## DIN 11864 Threaded Imperial

### DIN 11864-1 Union



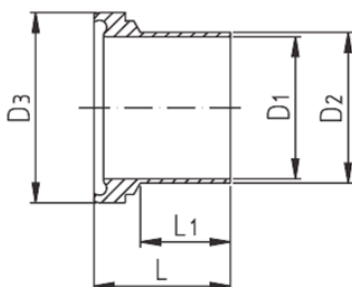
DN	D1	D2	D3	E	L	Weight
Inch	mm	mm	mm	mm	mm	Kg
1/2"	9.4	12.7	38	Rd 28 x 1/8"	76	0.28
3/4"	15.75	19.05	44	Rd 34 x 1/8"	76	0.36
1"	22.1	25.4	63	Rd 52 x 1/6"	77	0.49
1 1/2"	34.8	38.1	78	Rd 65 x 1/6"	88	0.63
2"	47.5	50.8	92	Rd 78 x 1/6"	89	0.82
2 1/2"	60.2	63.5	112	Rd 95 x 1/6"	115	1.37
3"	72.9	76.2	127	Rd 110 x 1/4"	117	1.98
4"	97.38	101.6	148	Rd 130 x 1/4"	119	2.52

### DIN 11864-1 Imperial Welding Male



DN	D1	D2	E	L	L1	Weight
Inch	mm	mm	mm	mm	mm	Kg
1/2"	9.4	12.7	Rd 28 x 1/8"	41	27	0.05
3/4"	15.75	19.05	Rd 34 x 1/8"	41	27	0.07
1"	22.1	25.4	Rd 52 x 1/6"	43	26	0.17
1 1/2"	34.8	38.1	Rd 65 x 1/6"	48.5	30	0.23
2"	47.5	50.8	Rd 78 x 1/6"	48.5	30	0.29
2 1/2"	60.2	63.5	Rd 95 x 1/6"	60	40	0.46
3"	72.9	76.2	Rd 110 x 1/4"	64	40	0.73
4"	97.38	101.6	Rd 130 x 1/4"	64	40	0.82

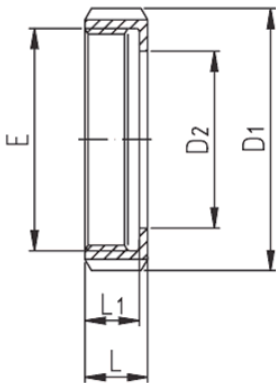
### DIN 11864-1 Imperial Welding Liner



DN	D1	D2	D3	L	L1	Weight
Inch	mm	mm	mm	mm	mm	Kg
1/2"	9.4	12.7	21.9	39.0	15	0.07
3/4"	15.75	19.05	27.9	39.0	15	0.08
1"	22.1	25.4	42.9	40.0	18	0.18
1 1/2"	34.8	38.1	54.9	46.5	18	0.25
2"	47.5	50.8	66.9	47.5	19	0.33
2 1/2"	60.2	63.5	84.9	63.0	21	0.55
3"	72.9	76.2	98.9	61.0	25	0.80
4"	97.38	101.6	118.9	65.0	26	1.08

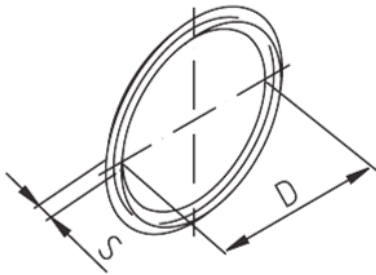
## DIN 11864 Imperial

### DIN 11864-1 Nut



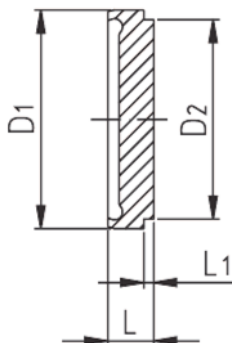
DN	D1	D2	E	L	L1	Weight
Inch	mm	mm	mm	mm	mm	Kg
1/2"	38	19	Rd 28 x 1/8"	18	15	0.07
3/4"	44	25	Rd 34 x 1/8"	18	15	0.08
1"	63	36	Rd 52 x 1/6"	21	18	0.18
1 1/2"	78	49	Rd 65 x 1/6"	21	18	0.25
2"	92	62	Rd 78 x 1/6"	22	19	0.33
2 1/2"	112	80	Rd 95 x 1/6"	25	21	0.55
3"	127	94	Rd 110 x 1/4"	29	25	0.80
4"	148	115	Rd 130 x 1/4"	31	26	1.08

### DIN 11864-1 Imperial Seal



DN	D	S
Inch	mm	mm
1/2"	12	3.5
3/4"	18	3.5
1"	24	3.5
1 1/2"	37	5
2"	50	5
2 1/2"	62	5
3"	75	5
4"	100	5

### DIN 11864-1 Imperial Liner Blank Cap



DN	D1	D2	L	L1	Weight
Inch	mm	mm	mm	mm	Kg
1/2"	21.9	18	9	3	0.02
3/4"	27.9	24	9	3	0.03
1"	42.9	35	12	3	0.10
1 1/2"	54.9	48	13	3	0.16
2"	66.9	61	14	3	0.27
2 1/2"	84.9	79	16	4	0.52
3"	98.9	93	16	4	0.70
4"	118.9	114	20	5	1.37