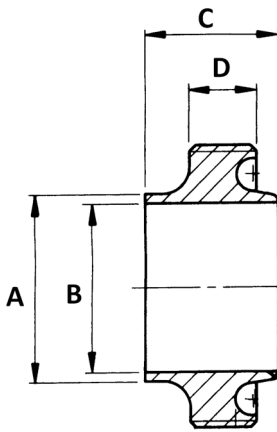


RJT Weld Fittings

RJT Weld Male Part 316 / EN 1.4401



Tube OD		A	B	C	D	CODE
Inch	mm	mm	mm	mm	mm	
1	25.4	25.65	22.2	26.3	14.3	A06-10
1.5	38.1	38.35	34.9	26.3	14.3	A06-15
2	50.8	51.05	47.6	26.3	14.3	A06-20
2.5	63.5	63.75	60.3	26.3	14.3	A06-25
3	76.2	76.45	73.0	26.3	14.3	A06-30
4	101.6	101.85	97.6	26.3	14.3	A06-40

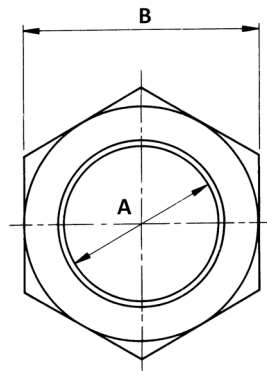
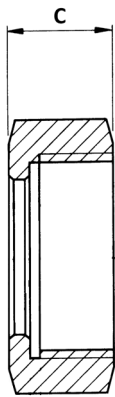
RJT Screw Threads for Male Parts

Tube OD		A		B		C		Threads Per Inch
Inch	mm	Max	Min	Max	Min	Max	Min	
1	25.4	41.656	41.351	43.688	43.383	45.720	45.415	8
1.5	38.1	54.356	54.051	56.388	56.083	58.420	58.115	8
2	50.8	67.310	67.005	70.002	69.697	72.720	72.415	6
2.5	63.5	80.010	79.705	82.702	82.397	85.420	85.115	6
3	76.2	92.710	92.405	95.402	95.097	98.120	97.815	6
4	101.6	118.110	117.805	120.802	120.497	123.520	123.215	6



RJT Weld Fittings

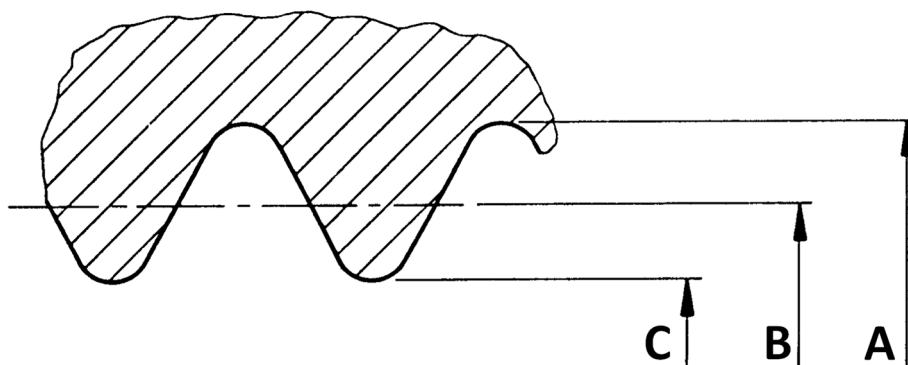
RJT Nut 304 / EN 1.4301



Tube OD		A	B	C	CODE
Inch	mm	mm	mm	mm	
1	25.4	33.3	50.8	22.2	A04-10
1.5	38.1	46.0	65.0	22.2	A04-15
2	50.8	58.7	79.4	22.2	A04-20
2.5	63.5	71.4	92.1	22.2	A04-25
3	76.2	84.1	104.8	22.2	A04-30
4	101.6	109.5	130.2	22.2	A04-40

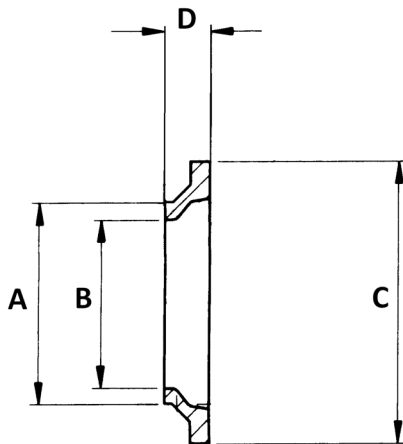
RJT Screw Threads for Nut

Tube OD		A		B		C		Threads Per Inch
Inch	mm	Max	Min	Max	Min	Max	Min	
1	25.4	46.635	46.330	44.603	44.298	43.079	42.266	8
1.5	38.1	59.335	59.030	57.303	56.998	55.779	54.966	8
2	50.8	73.635	73.330	70.917	70.612	68.733	67.920	6
2.5	63.5	86.335	86.030	83.617	83.312	81.433	80.620	6
3	76.2	99.035	98.730	96.317	96.012	94.133	93.320	6
4	101.6	124.435	124.130	121.717	121.412	119.533	118.720	6



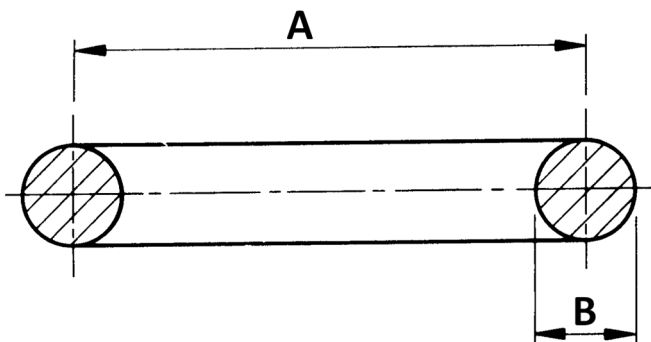
RJT Weld Fittings

RJT Weld Liner 316 / EN 1.4401



Tube OD		A	B	C	D	CODE
Inch	mm	mm	mm	mm	mm	
1	25.4	25.7	22.2	41.3	12.7	A08-10
1.5	38.1	38.4	34.9	54.0	12.7	A08-15
2	50.8	51.1	47.6	66.7	12.7	A08-20
2.5	63.5	63.8	60.3	79.4	12.7	A08-25
3	76.2	76.5	73.0	92.1	12.7	A08-30
4	101.6	101.9	97.6	117.5	12.7	A08-40

RJT Joint Ring

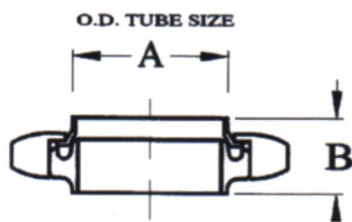


Tube OD		A	B	NITRILE
Inch	mm	mm	mm	CODE
1	25.4	33.3	6.6	A100-10
1.5	38.1	46.0	6.6	A100-15
2	50.8	58.7	6.6	A100-20
2.5	63.5	71.4	6.6	A100-25
3	76.2	84.1	6.6	A100-30
4	101.6	109.5	6.6	A100-40

NOTE: The standard RJT Joint Ring is supplied in Nitrile, other materials available include EPDM, Viton, Silicone & PTFE.

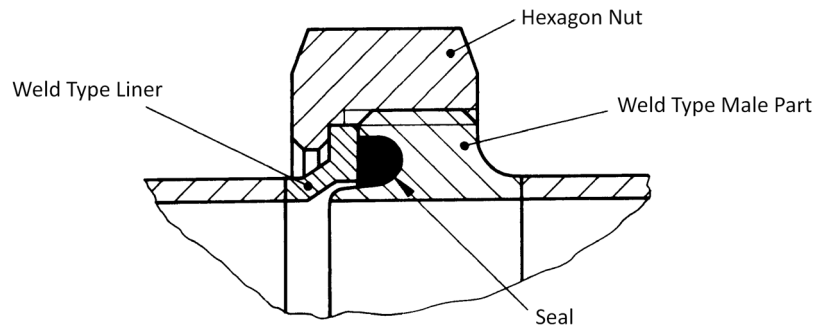
RJT Weld Fittings

RJT Weld Union 316 / EN 1.4401

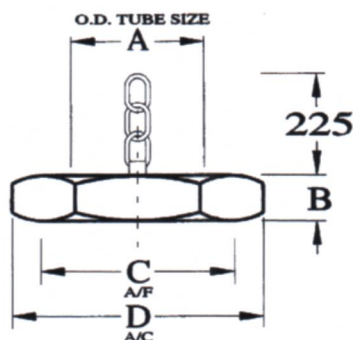


SIZE		DIM B	CODE
Inch	mm	mm	
1"	25.4	37	A02-10
1 1/2"	38.1	34	A02-15
2"	50.8	34	A02-20
2 1/2"	63.5	35	A02-25
3"	76.2	36	A02-30
4"	101.6	45	A02-40

RJT Weld Union Cross Section



RJT Blank Nut & Chain 316 / EN 1.4401



SIZE		DIM B	DIM C	DIM D	CODE
Inch	mm	mm	mm	mm	mm
1"	25.4	22	51	58	A102-10
1 1/2"	38.1	22	65	74	A102-15
2"	50.8	22	79	90	A102-20
2 1/2"	63.5	22	92	104	A102-25
3"	76.2	22	105	120	A102-30
4"	101.6	22	130	150	A102-40