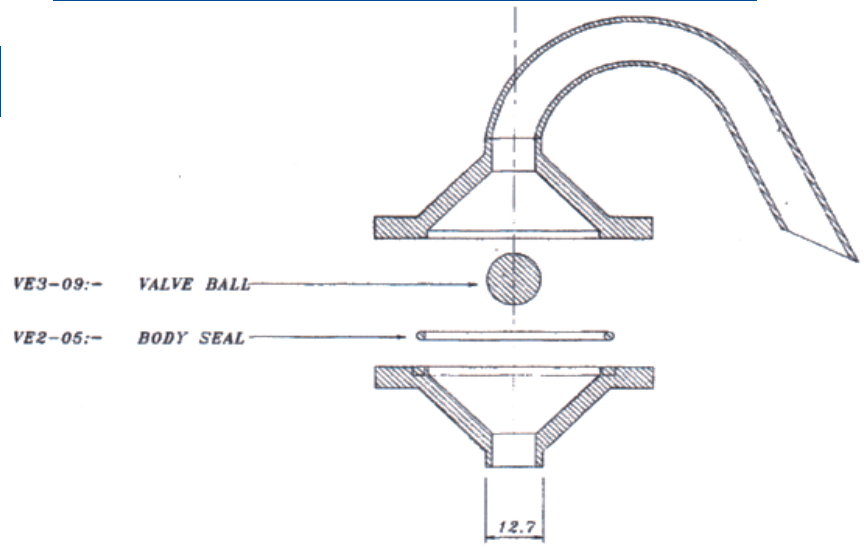


## Air Vent Valve—Hygienic

### Air Vent Valve Data

- Manufacture from 316L Stainless Steel
- Supplied with plain end for welding into pipe work or fitted with Pipeline Products 0.5" range of fittings
- Ball Manufactured from Polypropylene
- Body Seal—EPDM 'O' Ring
- Fully machined/polished finish
- Max working pressure: 10 Bar
- Max working temperature: 100°C



### Venting Of Air On Pressure Side Of

The Pipeline Products Air Vent Valve is designed to provide automatic release of air in pipe work systems during the movement of pure liquids.

The need to manually bleed pipe work systems is eliminated provided the vent valve is installed at the highest point of the pipe work in the vertical position.

The Air Vent Valve is fitted with a Polypropylene ball which being lighter than the product to be moved is pushed against the upper outlet of the valve once the air has been eliminated from the system thus preventing the loss of product.

### Air Bleeding—Suction Side of Pumps

The Air Vent Valve may also be installed on the suction side of pumps to prevent cavitations due to air being present prior to pump 'start up'.

The Polypropylene Ball in this case will be sucked against the inlet of the valve once air has been eliminated from the suction pipe work.