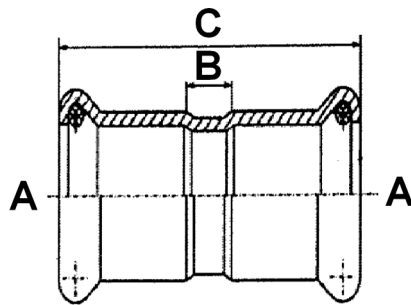


## Press-Fit Fittings

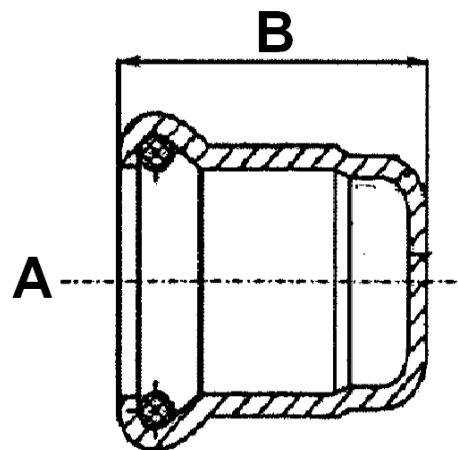
### Straight Coupling (2 x Press)



Size (Dim A)	B	C
mm	mm	mm
15	8	48
18	8	48
22	8	50
28	8	54
35	10	62
42	11	71
54	13	83
76.1	35	141
88.9	42	162
108.0	44	194

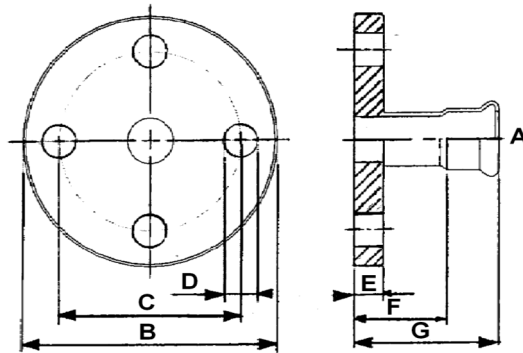
### Cap (1 x Press)

Size (Dim A)	B
mm	mm
15	30
18	30
22	31
28	32
35	34
42	39
54	45
76.1	67
88.9	78
108.0	94



## Press-Fit Fittings

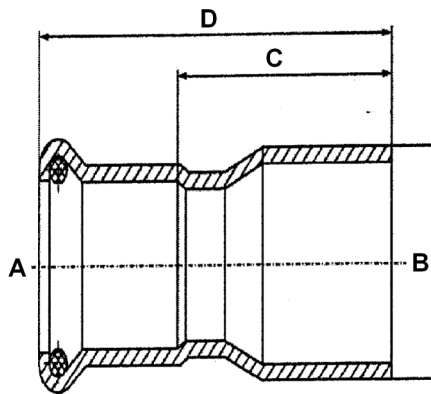
### Flanged Connector PN16 (1 x Press)



Size (Dim A)	B	C	D	E	F	G	No.
mm	mm	mm	mm	mm	mm	mm	
15	95	65	14	11	23	43	4
18	95	65	14	11	23	43	4
22	105	75	14	12	26	47	4
28	115	85	14	14	31	54	4
35	140	100	18	15	36	62	4
42	150	110	18	16	40	70	4
54	165	125	18	18	49	84	4
76.1	185	145	18	18	76	129	4
88.9	200	160	18	20	88	148	8
108.0	220	180	18	20	98	173	8

## Press-Fit Fittings

### Reducer With Plain End (1 x Press)

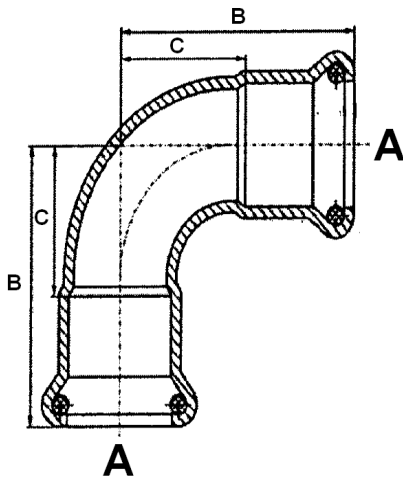


Size (Dim A)	mm	15	15	15	18	18	18	18	18	22	22	22	22
Size (Dim B)	mm	18	22	28	22	28	35	42	54	28	35	42	54
C	mm	42	42	47	40	47	57	62	72	45	50	63	75
D	mm	62	62	67	60	67	77	82	92	66	71	84	96

Size (Dim A)	mm	28	28	28	35	35	42	54	54	54	76.1	76.1	88.9
Size (Dim B)	mm	35	42	54	42	54	54	76.1	88.9	108	88.9	108	108
C	mm	53	56	78	54	71	72	110	112	127	108	133	143
D	mm	76	79	101	80	97	102	145	147	162	161	186	203

## Press-Fit Fittings

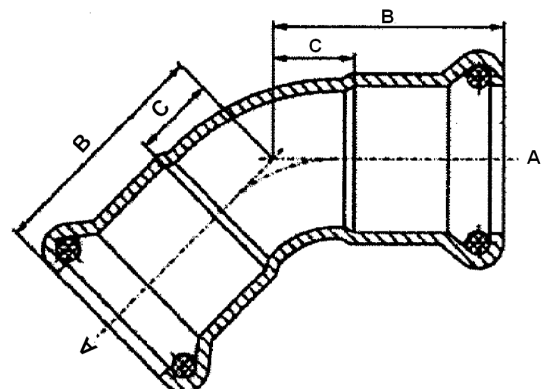
### Elbow 90° (2 x Press)



Size (Dim A)	B	C
mm	mm	mm
15	49	29
18	53	33
22	61	40
28	72	49
35	86	60
42	112	82
54	138	103
76.1	180	127
88.9	205	145
108.0	245	170

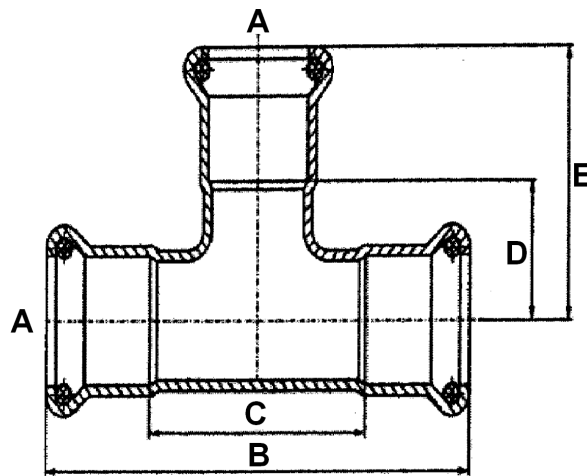
### Elbow 45° (2 x Press)

Size (Dim A)	B	C
mm	mm	mm
15	35	15
18	37	17
22	42	21
28	48	25
35	54	28
42	67	37
54	81	46
76.1	112	59
88.9	127	67
108.0	155	80



## Press-Fit Fittings

### Equal Tee (3 x Press)

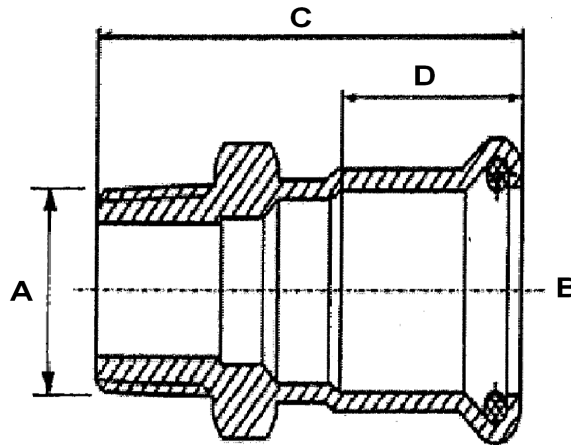


Size (Dim A)	B	C	D	E
mm	mm	mm	mm	mm
15	66	26	19	19
18	68	28	21	21
22	74	32	23	23
28	84	38	27	27
35	100	54	31	31
42	114	54	35	35
54	138	68	42	42
76.1	230	124	57	57
88.9	260	140	68	68
108.0	310	150	83	83

## Press-Fit Fittings

### Adaptor With Male Thread End

(1Press x BSPT Male Thread)



A (BSPT)	mm	1/2"	3/4"	1/2"	3/4"	1/2"	3/4"	1"	3/4"	1"	1 1/4"
B	mm	15	15	18	18	22	22	22	28	28	28
C	mm	54	58	54	58	56	60	63	65	68	70
D	mm	20	22	20	20	21	21	21	23	23	23

Size (Dim A)	mm	1"	1 1/4"	1 1/2"	1 1/4"	1 1/2"	1 1/2"	2"	2 1/2"	3"	4"
Size (Dim B)	mm	35	35	35	42	42	54	54	76.1	88.9	108
C	mm	69	71	71	76	76	85	90	120	130	157
D	mm	26	26	26	27	27	35	35	50	60	75