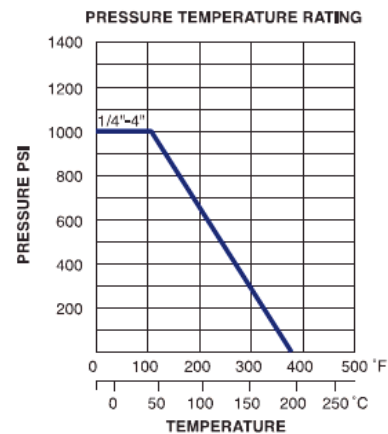
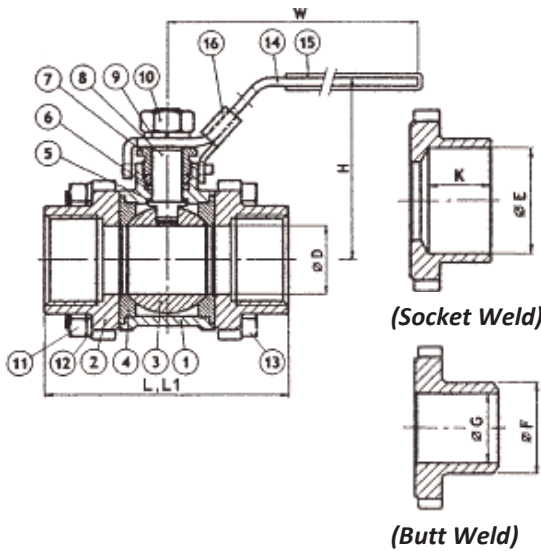


Ball Valve—3 Pce BSP



Features

- Investment Casting
- Blow-out Proof Stem Design
- Pressure Rating: 1/4" ~ 2" 1000PSI / PN63
2.1/2" ~ 4" 1000PSI / PN40
- Temperature Range: -20°C ~ +180°C
- End Type: Threaded/ Butt Weld/ Socket Weld
- Pipe Thread: DIN 2999, DIN 259, BSP, NPT
- Material: SS316/ 1.4408 EN 10213-4 / ASTM A-351 Gr CF8M
S45C/ 1.0619 EN 10213-2/ ASTM A-216 Gr WCB
- Option Locking Device



SIZE		øD	øE	øF	øG	H	K	L	L1	W
Inch	DN									
1/4"	8	12.8	14.1	18	12	51	14.6	59	59	95
3/8"	10	12.8	17.6	18	14	51	14.6	59	59	95
1/2"	15	15	21.7	22	17.1	55	14.7	64	64	95
3/4"	20	20	27.1	27.5	22.5	59	16.5	75	75	110
1"	25	25	33.8	33.5	28	73	17.6	85	85	135
1.1/4"	32	32	42.6	44	33.5	78	17.8	97	97	135
1.1/2"	40	38	48.7	50	43	91	19.2	110	110	165
2"	50	50	61.1	61.5	53	99	22.5	132	132	165
2.1/2"	65	65	76.9	76.0	65	130	29.1	167	167	215
3"	80	80	89.8	92	80	142	31.7	187	187	215
4"	100	100	115.4	115	100	174	36.3	230	230	310

No.	Part Name	QTY (PC)	Material	
			SS316	WCB
1	Body	1	SS316	WCB
2	End Cap	2	SS316	WCB
3	Ball	1	SS316	SS304
4	Seat	2	PTFE	PTFE
5	Thrust Washer	1	PTFE	PTFE
6	Stem Packing	2	PTFE	PTFE
7	Gland Nut	1	SS304	SS304
8	Stem	1	SS316	SS316
9	Stem Washer	1	SS304	SS304
10	Stem Nut	1	SS304	SS304
11	NUT	4 ; 6	SS304	SS304
12	Spring Washer	4 ; 6	SS304	SS304
13	Bolt	4;6	SS304	SS304
14	Handle	1	SS304	SS304
15	Handle Cover	1	Plastic	PLASTIC
16	Locking Device	1	SS304	SS304