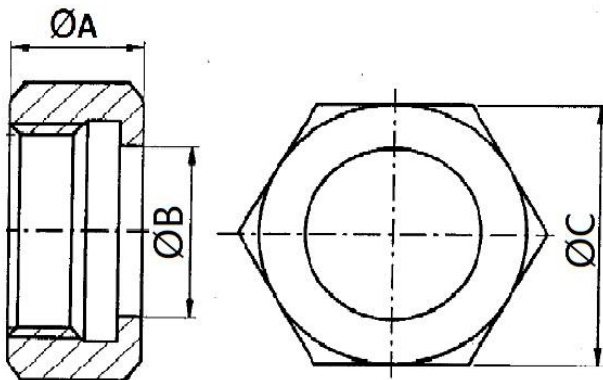


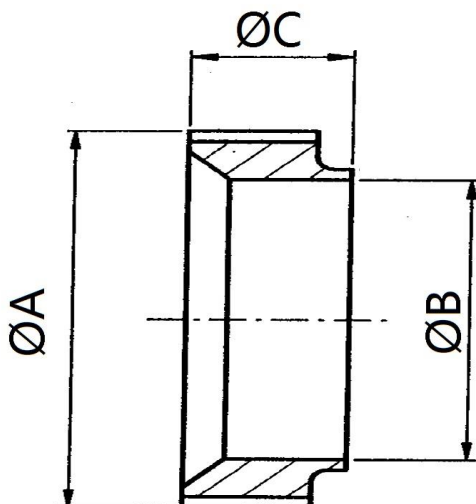
## 3A ACME Weld Fittings

### 3A ACME Nut



Tube OD		A	B	C	CODE
Inch	mm	mm	mm	mm	
1	25.4	23.0	30.3	46.0	F04-10
1.5	38.1	24.6	43.4	61.1	F04-15
2	50.8	27.0	56.5	76.2	F04-20
2.5	63.5	30.2	69.6	91.3	F04-25
3	76.2	32.5	82.7	106.4	F04-30
4	101.6	38.1	108.9	137.6	*

### 3A ACME Male

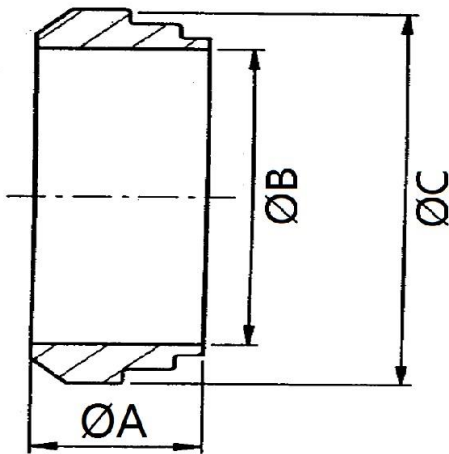


Tube OD		A	B	C	CODE
Inch	mm	mm	mm	mm	
1	25.4	37.13	22.2	18.3	F06-10
1.5	38.1	50.65	34.9	18.3	F06-15
2	50.8	64.16	47.5	19.1	F06-20
2.5	63.5	77.67	60.2	22.2	F06-25
3	76.2	91.19	72.9	23.1	F06-30
4	101.6	119.25	97.4	26.2	*

Note - 4" Sourced to order, please call the sales office for more information

## 3A ACME Weld Fittings

### 3A ACME Liner



Tube OD		A	B	C	CODE
Inch	mm	mm	mm	mm	
1	25.4	18.3	22.2	33.3	F08-10
1.5	38.1	18.3	34.9	46.8	F08-15
2	50.8	19.1	47.5	60.3	F08-20
2.5	63.5	22.3	60.2	73.8	F08-25
3	76.2	23.1	72.9	87.3	F08-30
4	101.6	26.2	97.4	114.3	*

Note - 4" Sourced to order, please call the sales office for more information