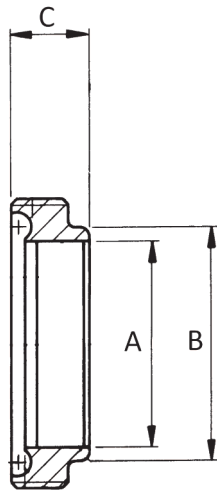


RJT Expanded Fittings

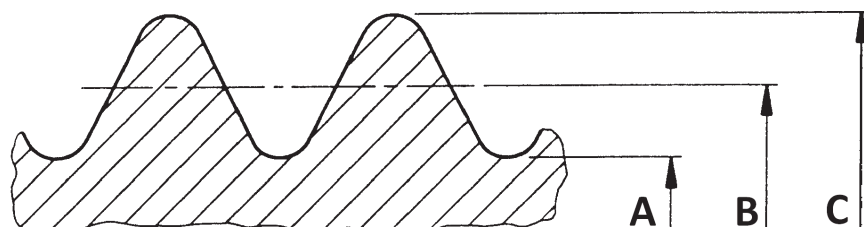
RJT Expand Male Part 304 / EN 1.4301



Tube OD		A	B	C
Inch	mm	mm	mm	mm
1	25.4	25.4	32.5	20
1.5	38.1	38.1	45.2	24
2	50.8	50.8	57.9	28
2.5	63.5	63.5	70.6	32
3	76.2	76.2	83.3	32

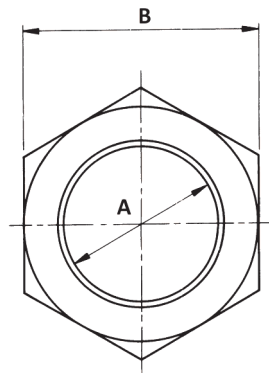
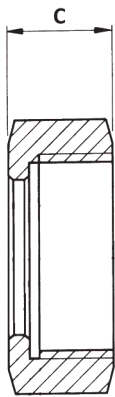
RJT Screw Threads for Male Parts

Tube OD		A		B		C		Threads Per
Inch	mm	Max	Min	Max	Min	Max	Min	Inch
1	25.4	41.656	41.351	43.688	43.383	45.720	45.415	8
1.5	38.1	54.356	54.051	56.388	56.083	58.420	58.115	8
2	50.8	67.310	67.005	70.002	69.697	72.720	72.415	6
2.5	63.5	80.010	79.705	82.702	82.397	85.420	85.115	6
3	76.2	92.710	92.405	95.402	95.097	98.120	97.815	6
4	101.6	118.110	117.805	120.802	120.497	123.520	123.215	6



RJT Expanded Fittings

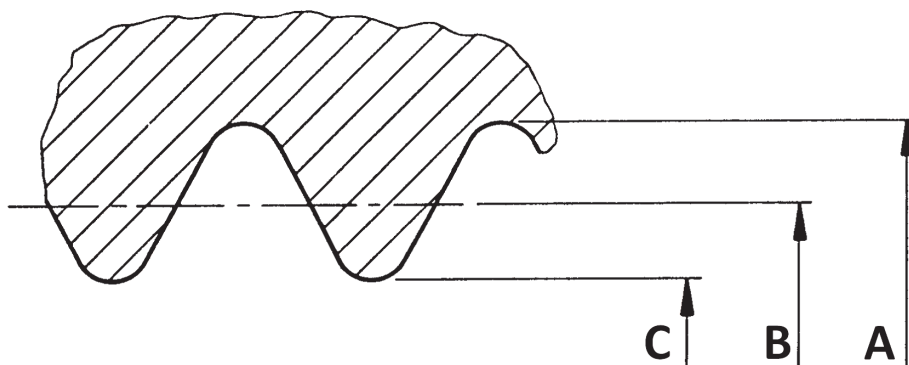
RJT Nut 304 / EN 1.4301



Tube OD		A	B	C
Inch	mm	mm	mm	mm
1	25.4	33.3	50.8	22.2
1.5	38.1	46.0	65.0	22.2
2	50.8	58.7	79.4	22.2
2.5	63.5	71.4	92.1	22.2
3	76.2	84.1	104.8	22.2
4	101.6	109.5	130.2	22.2

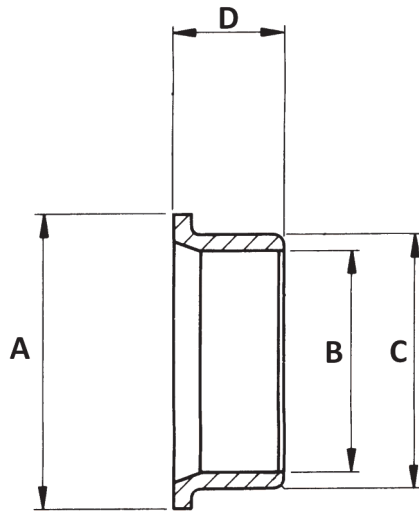
RJT Screw Threads for Nut

Tube OD		A		B		C		Threads Per Inch
Inch	mm	Max	Min	Max	Min	Max	Min	
1	25.4	46.635	46.330	44.603	44.298	43.079	42.266	8
1.5	38.1	59.335	59.030	57.303	56.998	55.779	54.966	8
2	50.8	73.635	73.330	70.917	70.612	68.733	67.920	6
2.5	63.5	86.335	86.030	83.617	83.312	81.433	80.620	6
3	76.2	99.035	98.730	96.317	96.012	94.133	93.320	6
4	101.6	124.435	124.130	121.717	121.412	119.533	118.720	6



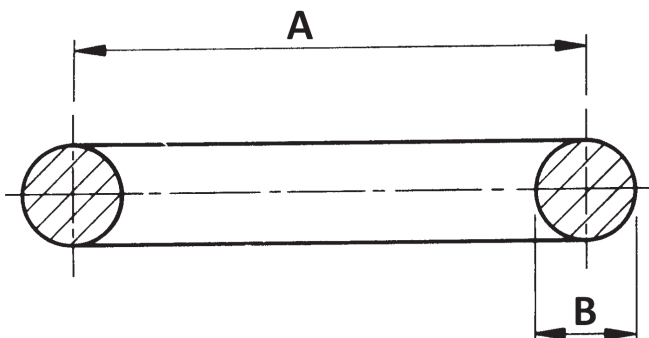
RJT Expanded Fittings

RJT Expand Liner 304 / EN 1.4301



Tube OD		A	B	C	D
Inch	mm	mm	mm	mm	mm
1	25.4	41.3	25.4	32.5	0.25
1.5	38.1	54.0	38.1	45.2	0.25
2	50.8	66.7	50.8	57.9	0.25
2.5	63.5	79.4	63.5	70.6	0.25
3	76.2	92.1	76.2	83.3	0.25

RJT Joint Ring

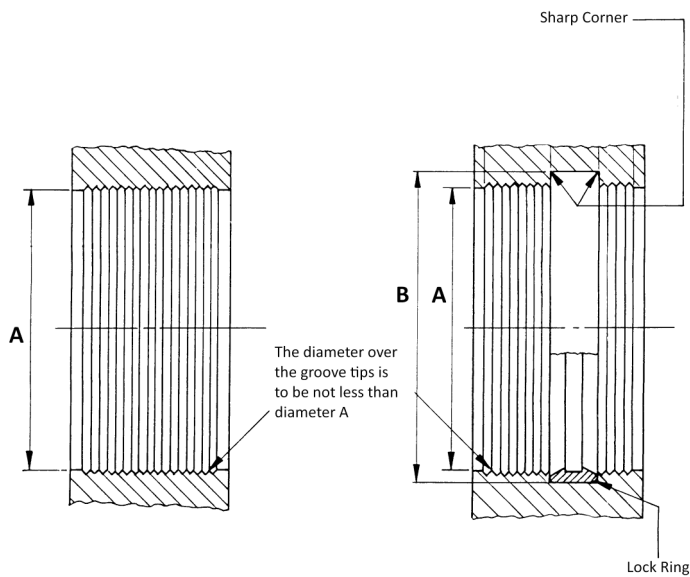


Tube OD		A	B
Inch	mm	mm	mm
1	25.4	33.3	6.6
1.5	38.1	46.0	6.6
2	50.8	58.7	6.6
2.5	63.5	71.4	6.6
3	76.2	84.1	6.6
4	101.6	109.5	6.6

NOTE: The standard RJT Joint Ring is supplied in Nitrile, other materials available include EPDM, Viton, Silicone & PTFE.

RJT Expanded Fittings

Grooves For Expanded Type Male Parts and Liners



Tube OD ØA		Lock Ring Groove ØB
Inch	mm	mm
1	25.4	27.65
1.5	38.1	40.35
2	50.8	53.05
2.5	63.5	65.65
3	76.2	78.35

NOTE: Lock rings are no longer offered as standard

RJT Expanding Union Cross Section

