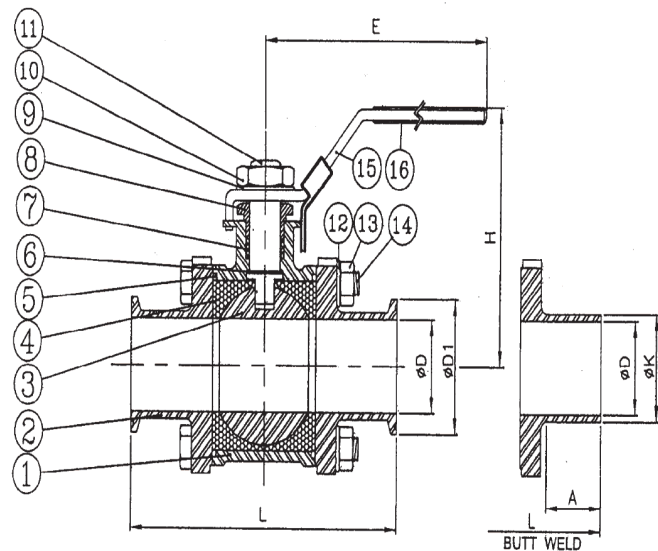


Ball Valve—3 Pce 2 Way Sanitary

No.	PART NAME	QTY	MATERIAL
1	Body	1	SS316
2	Cap	2	SS316
3	Ball	1	SS316
4	Seat	2	Pipe
5	Gasket	2	PTFE
6	Thrust Washer	1	PTFE
7	Stem Packing	1	SS304
8	Gland Nut	1	SS304
9	Handle Washer	1	SS304
10	Handle Nut	1	SS304
11	Stem	1	SS304
12	Bolt Washer	4 / 8 / 12	SS304
13	Nut	4 / 8 / 12	SS304
14	Bolt	4 / 6	SS304
15	Handle	1	SS304
16	Handle Cover	1	Plastic

- Investment Casting with blow out proof stem
- SS316/ EN10213 1.4408/ ASTM A-351 GR CF8M
- Temperature range of -20°C to 180°C
- Lockable handle as standard
- Available with a range of end connections
- Sanitary cavity filled seat design



SIZE		ØD	ØD1	ØK	A	L	L	L	H	E	Torque In LBS
Inch	DN					Butt Weld	Clamp End	RJT M/M			
1/2"	DN 15	9.5	25.2	12.7	18	89	132	N/A	52	106	40
3/4"	DN 20	15.9	25.2	19.1	21	101	144	N/A	55	106	64
1"	DN 25	22.2	50.5	25.4	25	114	157	167	70	135	130
1.5"	DN 40	35.0	50.5	38.1	28	140	183	193	89	182	195
2"	DN 50	47.6	64	50.8	25	156	199	209	97	182	250
2.5"	DN 65	60.2	77.5	63.5	35	197	240	250	140	263	400
3"	DN 80	73	91	76.2	43	229	272	282	152	263	600
4"	DN 100	97.4	119	101.6	37	241	284	294	184	285	1200

Please note all dimensions for welded ends are approximate. RJT ends are measured overall, care must be taken to adjust for tube insertion when calculating pipe work. E & OE.