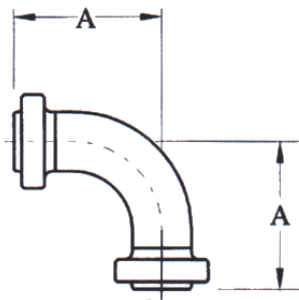


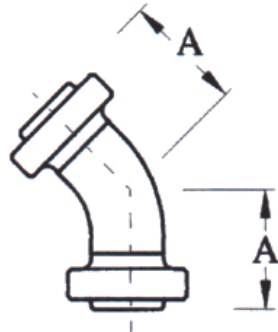
RJT Fitted Bends

90° Bend MxM



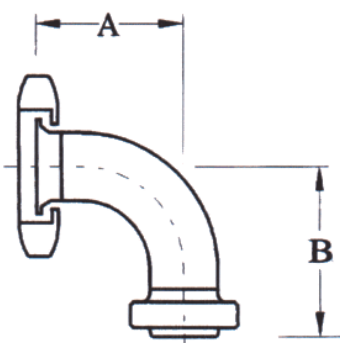
SIZE	DIM A	CODE
1"	70	A163-10
1 1/2"	90	A163-15
2"	115	A163-20
2.5"	140	A163-25
3"	160	A163-30
4"	200	A163-40

45° Bend MxM



SIZE	DIM A	CODE
1"	56	A166-10
1 1/2"	63	A166-15
2"	72	A166-20
2.5"	78	A166-25
3"	88	A166-30
4"	131	A166-40

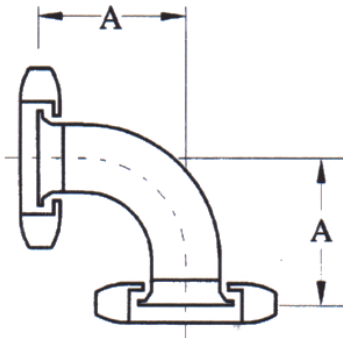
90° Bend MxF



SIZE	DIM A	DIM B	CODE
1"	54	70	A162-10
1 1/2"	76	90	A162-15
2"	101	115	A162-20
2.5"	127	140	A162-25
3"	147	160	A162-30
4"	189	200	A162-40

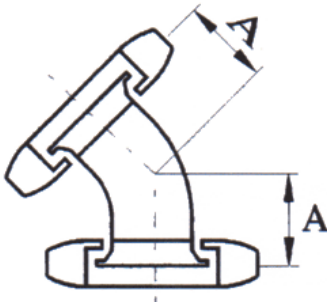
RJT Fitted Bends

90° Bend FxF



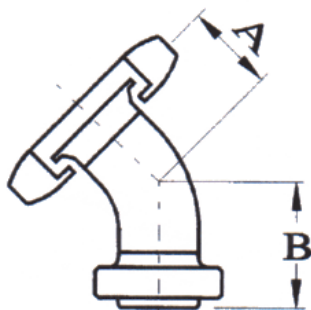
SIZE	DIM A	CODE
1"	54	A164-10
1 1/2"	76	A164-15
2"	101	A164-20
2.5"	127	A164-25
3"	147	A164-30
4"	189	A164-40

45° Bend FxF



SIZE	DIM A	CODE
1"	40	A167-10
1 1/2"	49	A167-15
2"	58	A167-20
2.5"	65	A167-25
3"	75	A167-30
4"	120	A167-40

45° Bend MxF



SIZE	DIM A	DIM B	CODE
1"	40	56	A165-10
1 1/2"	49	63	A165-15
2"	58	72	A165-20
2.5"	65	78	A165-25
3"	75	88	A165-30
4"	120	131	A165-40