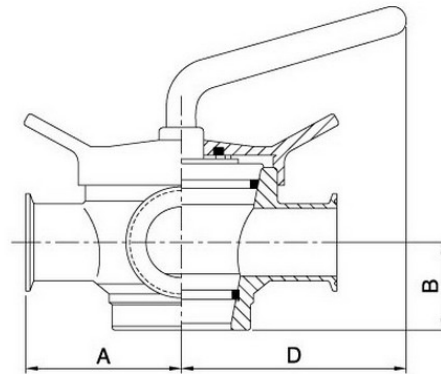


Plug Cock—Hygienic

Plug valves are excellent sanitary devices with minimal pressure drops. This kind of valve is constructed with a special taper which has been carefully designed to reduce wedging and galling. Available with stainless steel Plug and supplied with plain Ends or can be fabricated with connections to your specification.



SIZE	A M/M	A Flanged	B	C	D
1"	60	84	29	125	102
1.5"	79	115	45	129	152
2"	89	135	51	150	165
2.5"	105	158	57	170	191
3"	114	168	64	186	203

Note: Plug valves, because of inherent design, are recommended only for low pressure applications (25 psi Max); for use with non-hazardous products and at temperatures not to exceed 100°F. They are subject to leakage almost normal operating, maintenance and cleaning procedures. The lid has a PTFE seal and the two body seals are EPDM.