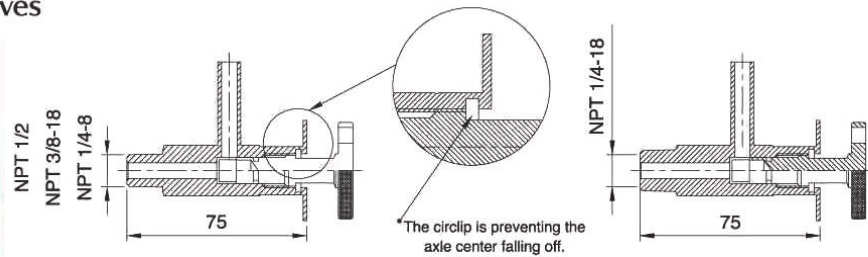


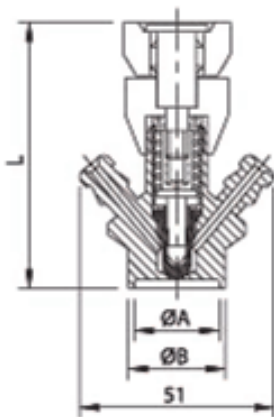
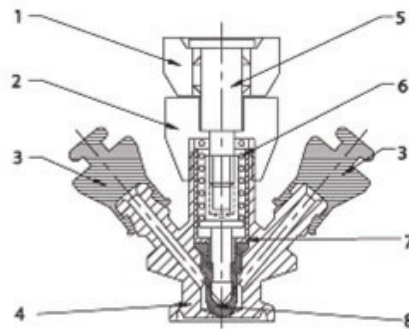
## Sample Valves—Hygienic

### Stainless Steel 316 Lockable Hygienic Sample Valve.

Sample Cock valves



### Stainless Steel Sample Valve for BPE.



Size	ØA	L
A37	34	70
1/2"	25.2	70
3/4"	25.2	70
1"	50.5	70

Item	Parts Name	QTY	Material
1	Rotating Nut	1	SUS304/316(L)
2	Lucknut	1	SUS304/316(L)
3	Seal	1	EPDM
4	Body	1	SUS304/316(L)
5	Flow Supports	1	SUS304/316(L)
6	Spring	1	SUS304/316(L)
7	Bushing	1	SUS304/316(L)
8	Seal	1	EPDM