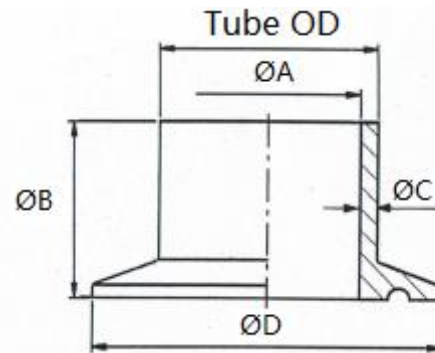


## Clamp Weld Fittings – Nominal Bore

### Clamp Ferrule EN 20286-1

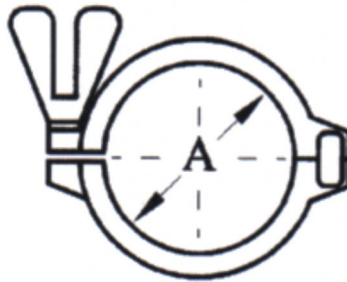


NB Size		A		B	C		D	CODE	
		Sch 10	Sch 40		Sch 10	Sch 40		Sch 10	Sch 40
Inch	mm	mm	mm	mm	mm	mm	mm		
0.5	21.34	17.12	15.80	21.5	2.11	2.77	34	*	*
0.75	26.67	22.45	20.93	21.5	2.11	2.87	50.5	*	*
1	33.4	27.86	26.64	21.5	2.77	3.38	50.5	E01-10C	E01-10D
1.5	48.26	42.72	40.90	21.5	2.77	3.68	64	E01-15C	E01-15D
2	60.33	54.79	52.51	21.5	2.77	3.91	77.5	E01-20C	E01-20D
2.5	73.03	66.93	62.71	21.5	3.05	5.16	91	E01-25C	E01-25D
3	88.90	82.80	77.92	21.5	3.05	5.49	106	E01-30C	E01-30D
4	114.30	108.20	102.26	21.5	3.05	6.02	130	E01-40C	E01-40D

Note: Any items without a product code are not stocked but can be sourced to requirements, for information on any sizes that are not stated please contact the sales office

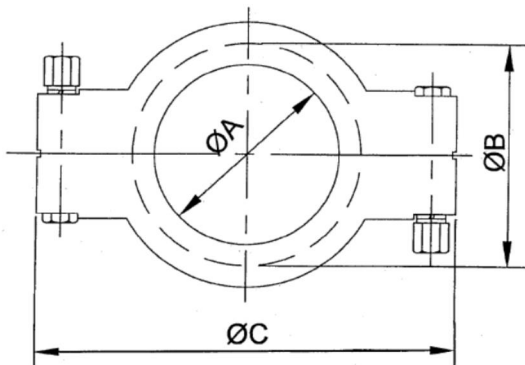
## Clamp Weld Fittings – Nominal Bore

### Heavy Duty Clamp and Clamp Assembly EN 20286-1



NB SIZE		DIM A	CODE
Inch	mm	mm	
0.5	21.34	34	*
0.75	26.67	50	E002-15
1	33.4	50	E002-15
1.5	48.26	64	E002-20
2	60.33	77.5	E002-25
2.5	73.03	91	E002-30
3	88.90	106	E002-30A
4	114.30	130	E002-40A

### 13MHP—High Pressure Clamp EN 20286-1

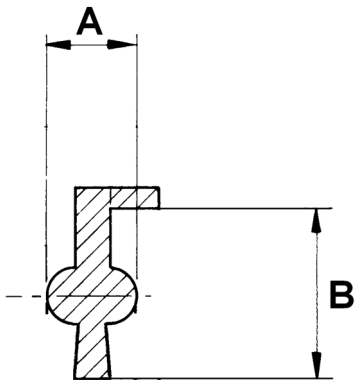


SIZE		A	B	C	Code
Inch	mm	mm	mm	mm	
0.75"	26.67	50	28	53.6	E003-05
1"	33.4	50	52	95.7	E003-15
1.5"	48.26	64	65.5	109.5	E003-20
2"	60.33	77.5	79	124.3	E003-25
2.5"	73.03	91	92.5	135.4	E003-30

Note: Many of the nominal bore clamp ferrules will fit our standard clamps, the sizing does vary so if you are unsure which clamp you need or if you require a size that is not listed please contact the sales office.

## Clamp Weld Fittings – Nominal Bore

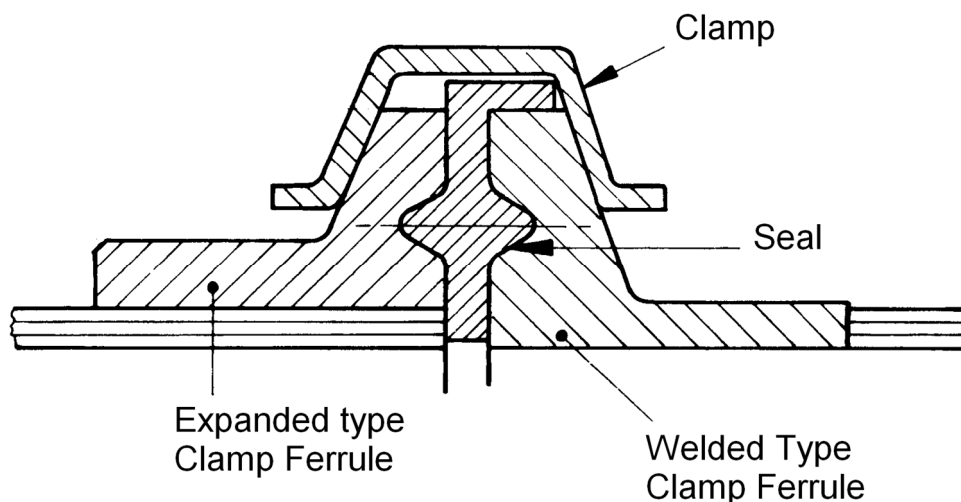
### Clamp Joint Ring EN 20286-1



Tube OD		A	B	CODE
Inch	mm	mm	mm	
0.5	21.34	5.55	34	*
0.75	26.67	5.55	50	E03-10
1	33.4	5.5	50	E03-15
1.5	48.26	5.5	64	E03-20
2	60.33	5.5	77.5	E03-25
2.5	73.03	5.5	91	E03-30
3	88.90	5.5	106	E03-30A
4	114.30	5.5	130	E03-40A

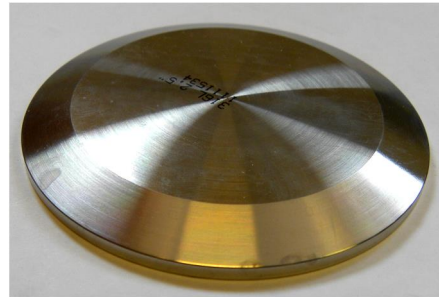
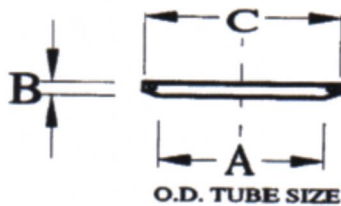
*NOTE: The standard Clamp Joint Ring is supplied in EPDM, other materials available include Viton, Silicone, PTFE/ Viton envelope & PTFE solid. Many of the nominal bore clamp ferrules will fit our standard clamp seals, the sizing does vary so if you are unsure which clamp seal you need or if you require a size that is not listed please contact the sales office.*

### Clamp Union Cross Section



## Clamp Weld Fittings – Nominal Bore

### Clamp Blank Cap EN 20286-1



SIZE	DIM B	DIM C	CODE
0.5"	6.25	34	*
0.75"	6.25	50	E04-15
1"	6.25	50	E04-15
1.5"	6.25	64	E04-20
2"	6.25	77.5	E04-25
2.5"	6.25	91	E04-30
3"	6.25	106	E04-30A
4"	8	130	E04-40A

*Note: Many of the nominal bore clamp ferrules will fit our standard clamp blanks, the sizing does vary so if you are unsure which clamp blank you need or if you require a size that is not listed please contact the sales office.*