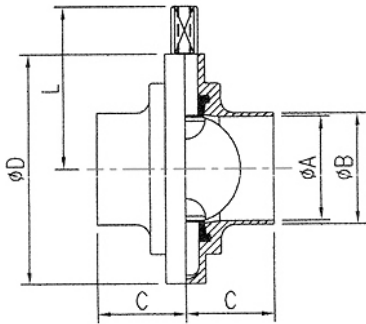
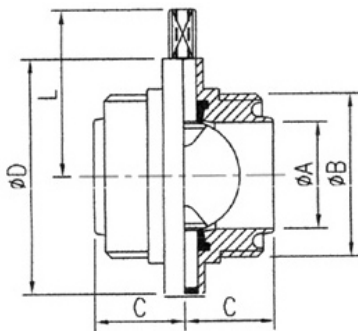


## Butterfly Valves—Hygienic

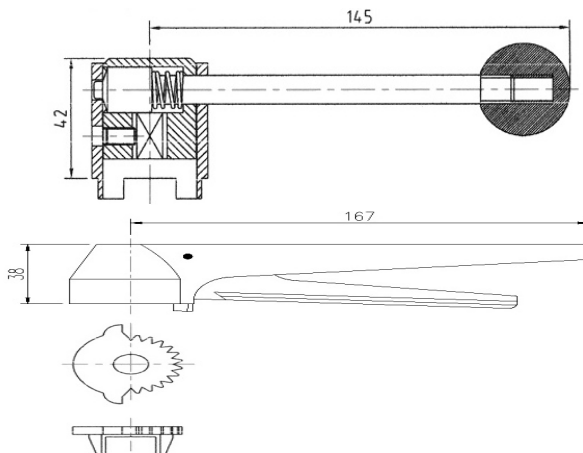
*Hygienic Butterfly valves for use in Food, Dairy, Brewery & general hygienic process applications. Available with EPDM, Viton, Silicone & PTFE Seals and a range of end connections including Plain Ends for Welding, RJT, IDF, Clamp, DIN & SMS. Internally the valve body is fully machined, the Disc is polished to 0.6Ra.*



Size	A	B	C	D	L
1"	22.1	25.4	34	79	61
1.5"	34.6	38.1	38	85	64.3
2"	47.5	50.8	40	105	74.3
2.5"	60.2	63.5	40	112	77.6
3"	72.2	76.2	41	125	84.3
4"	97.6	101.6	44	157	101.6
6"	146.8	152.4	43	214	138.9



Size	A	B	C	D	L
1"	22.1	45.72 x 8T Whit	34	79	61
1.5"	34.8	58.42 x 8T Whit	38	85	64.3
2"	47.5	72.72 x 6T Whit	40	105	74.3
2.5"	60.2	85.42 x 6T Whit	40	112	77.6
3"	72.2	96.12 x 8T Whit	41	125	84.3
4"	97.6	123.52 x 6T Whit	50	157	101.6

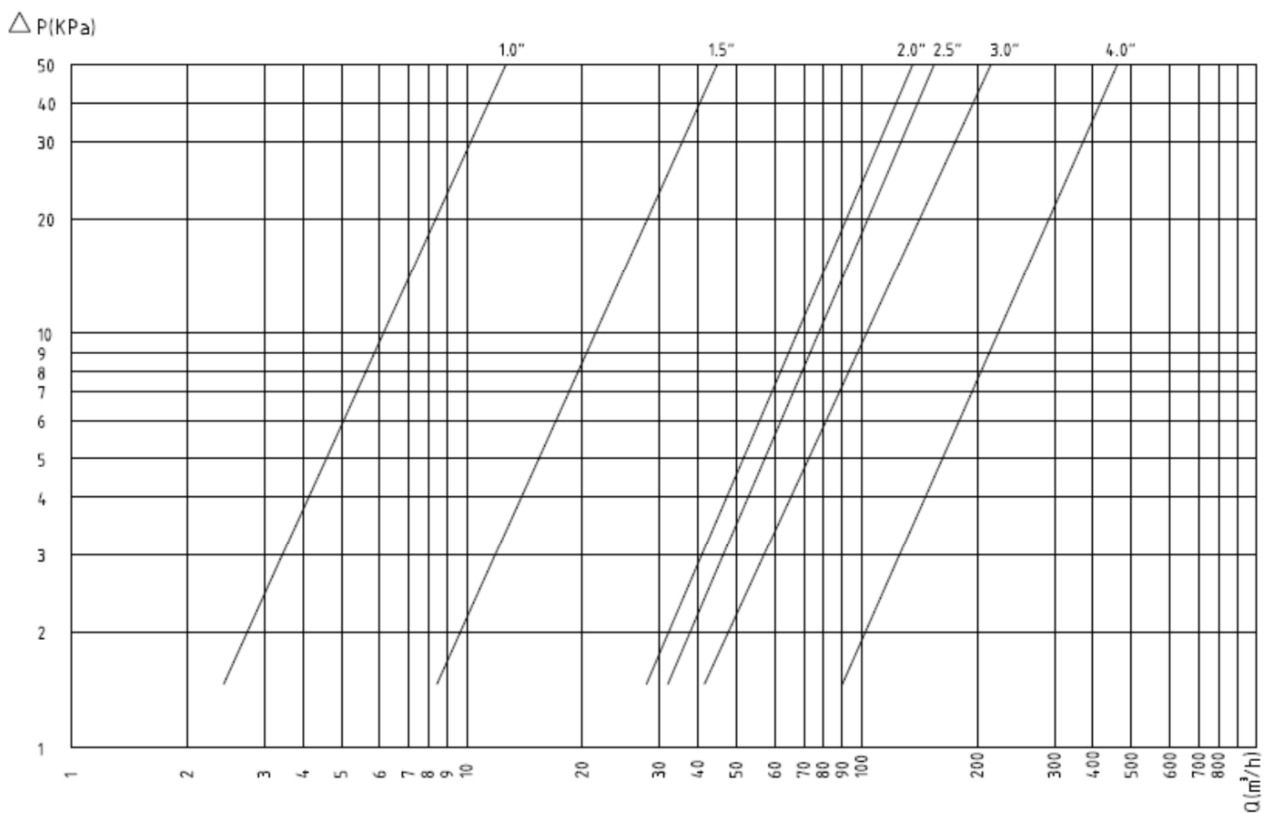


*Full Stainless Steel 304 handle with Phenolic knob. 4 Position pull handle locates firmly in place. Handle can be easily removed for maintenance or actuator fitting.*

*Nylon 6+ or Stainless Steel 304 gripper bar lever handle. 12 position notch plate to allow controlled positioning of valve. Handle can be modified to be lockable.*

## Butterfly Valves—Hygienic

**Capacity / Pressure drop Chart (Valve fully open)**



**All Pipeline Products Butterfly Valves are available as weld ends or with connections to suit your application.**

**The valves can be supplied as manual with a choice of Plastic or Stainless Steel 12 position lever handle or Stainless Steel 5 position pull handle, alternatively they can be actuated with Air open / Spring close units as standard, all actuators can be supplied with a top box containing a solenoid and 2 x Microswitches.**



15 Concorde Drive, 5c Business Centre, Clevedon, Somerset, BS21 6UH.

Tel: 01275 873103

Fax: 01275 873801

E: [info@pipelineproducts.ltd.uk](mailto:info@pipelineproducts.ltd.uk)

[www.pipelineproducts.ltd.uk](http://www.pipelineproducts.ltd.uk)

Specialist Suppliers of Hygienic & BSP Valves, Fittings & Tube

## Butterfly Valves—Hygienic

### Operating Manual

#### Instructions:

- 1) *The Butterfly Valve is designed to accommodate different standards and be low torque, it is suitable for use with different handles or actuators.*
- 2) *Always ensure the valve is set in the correct position.*
- 3) *The screws on the body must be locked.*
- 4) *Always ensure the handle is securely fitted prior to operation.*

#### Assembly:

- 1) *Weld end Valves must be dis-assembled prior to welding to avoid damage to the seal.*
- 2) *Inner surfaces must be kept clean during and after installation.*
- 3) *Ensure all screws are replaced and correctly tightened.*
- 4) *Always test handle operation before first use.*

#### Working Temperature & Pressure:

- 1) *Working Pressure for Valves: -0.9 barg to 10 barg based on Water at 20 Deg C*
- 2) *Working Temperature for Valves: -50 Deg C to 210 Deg C dependant on seat, based on Water*

#### Seal material temperature ranges (Water):

- 1) *Silicone = -50 Deg C—210 Deg C*
- 2) *EPDM = -40 Deg C—110 Deg C*
- 3) *Viton = -10 Deg C—210 Deg C*

Torque for full open/ close	1"	1.5"	2"	2.5"	3"	4"
Kgf-m	<1	<1	1.3	1.5	2.0	3.1
1 kgf-m = 9.8 N.m = 86.8 lbf-in—7.23 lbf-ft						