

Pressure Relief Valve

Material: SUS316L.Forged

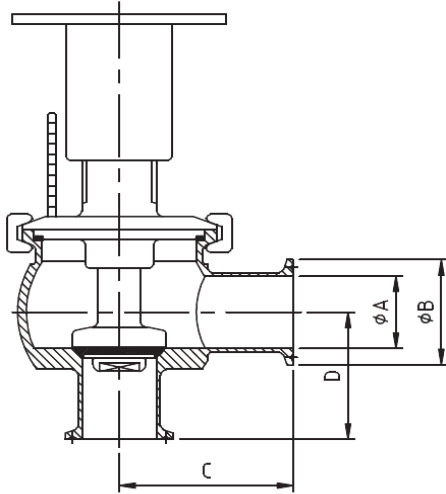
Surface: Polished,

ID Ra<0.8um.

Plain ended as standard

Connections can be made to your requirements

Manually Adjustable from 0-6 Bar



SIZE	ØA	ØB	C	D
1"	22.2	50.5	58.5	50.6
1 1/2"	34.9	50.5	81.2	61
2"	47.6	64	86.1	65.4
2 1/2"	60.3	77.5	103.1	78.6
3"	60.3	91	116.4	79.7

Installation Guide

