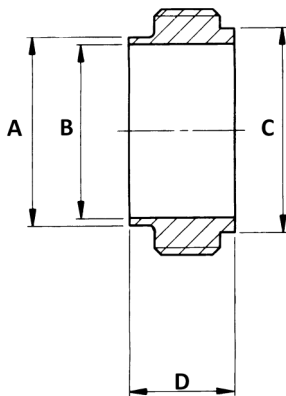


IDF Weld Fittings

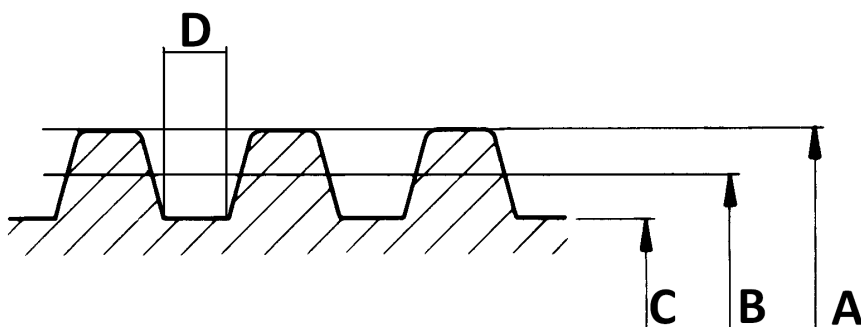
IDF Weld Male Part 316 / EN 20286-1



Tube OD		A	B	C	D
Inch	mm	mm	mm	mm	mm
1	25.4	25.65	22.2	29.2	21.5
1.5	38.1	38.35	34.9	42.7	21.5
2	50.8	51.05	47.6	56.2	21.5
2.5	63.5	63.75	60.3	69.9	21.5
3	76.2	76.45	73.0	82.6	21.5
4	101.6	101.85	97.6	111.1	30.0

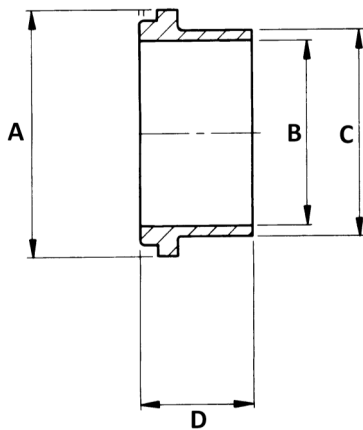
IDF Screw Threads For Male Parts

Tube OD		A		B		C		D
Inch	mm	max	min	max	min	max	min	mm
1	25.4	37.13	36.97	35.36	35.15	33.45	33.13	1.097
1.5	38.1	50.65	50.49	48.85	48.62	46.97	46.63	1.107
2	50.8	64.16	64.00	62.33	62.09	60.48	60.12	1.115
2.5	63.5	77.67	77.51	75.82	75.57	73.99	73.61	1.121
3	76.2	91.19	91.03	89.31	89.05	87.51	87.12	1.127
4	101.6	125.9	125.69	123.44	123.13	121.16	120.70	1.532



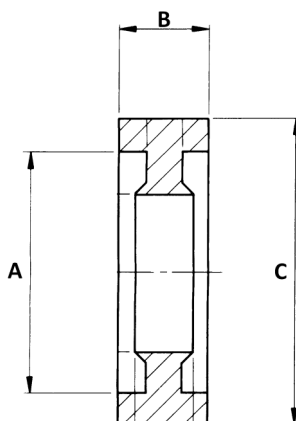
IDF Weld Fittings

IDF Liner 316 / EN 20286-1



Tube OD		A	B	C	D
Inch	mm	mm	mm	mm	Mm
1	25.4	33.8	22.2	25.65	21.5
1.5	38.1	47.0	34.9	38.35	21.5
2	50.8	60.5	47.6	51.05	21.5
2.5	63.5	74.0	60.3	63.75	21.5
3	76.2	87.5	73.0	76.45	21.5
4	101.6	120.6	97.6	101.85	30.0

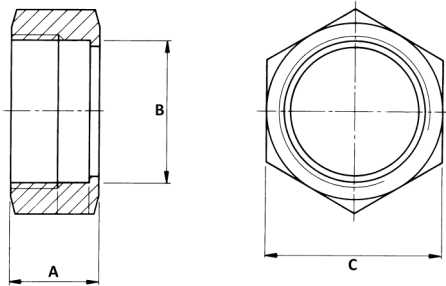
IDF Seal



Tube OD		A	B	C
Inch	mm	mm	mm	mm
1	25.4	29.2	7.0	32.5
1.5	38.1	42.7	7.0	46.0
2	50.8	56.2	7.0	59.5
2.5	63.5	69.9	7.0	73.2
3	76.2	82.6	7.0	86.5
4	101.6	111.0	9.6	119.0

IDF Weld Fittings

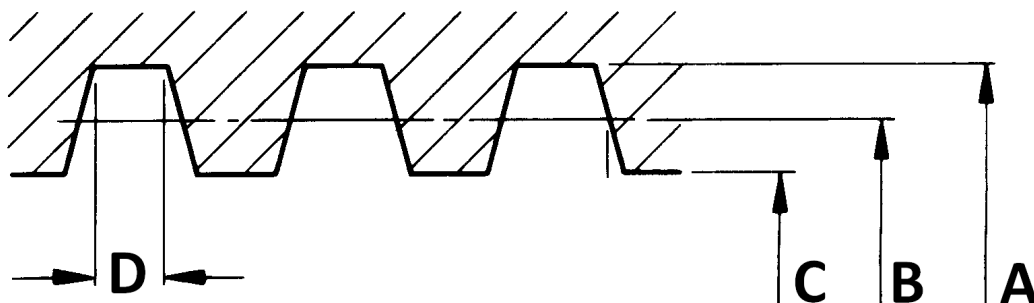
IDF Hex Nut 304 / EN 20286-1



Tube OD		A	B	C
Inch	mm	mm	mm	mm
1	25.4	30	34.34	46
1.5	38.1	30	47.86	60
2	50.8	30	61.37	75
2.5	63.5	30	74.88	90
3	76.2	30	88.40	105
4	101.6	35	122.00	133

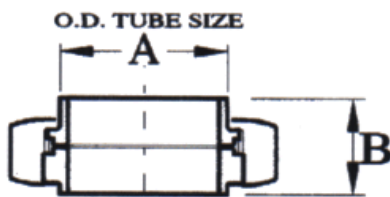
IDF Screw Threads For Nuts

Tube OD		A		B		C		D
Inch	mm	max	min	max	min	max	min	mm
1	25.4	38.53	38.02	36.12	35.91	34.49	34.34	1.042
1.5	38.1	52.05	51.54	49.66	49.43	48.01	47.86	1.1042
2	50.8	65.56	65.05	63.18	62.94	61.52	61.37	1.042
2.5	63.5	79.07	78.56	76.70	76.45	75.03	74.88	1.042
3	76.2	92.59	92.08	90.28	89.97	88.55	88.40	1.042
4	101.6	127.30	126.79	124.45	124.15	122.20	122.05	1.434



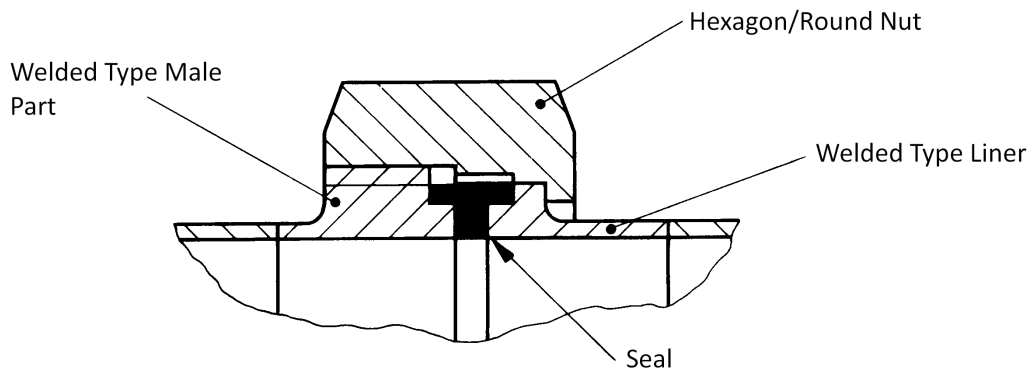
IDF Weld Fittings

IDF Weld Union 316 / EN 20286-1

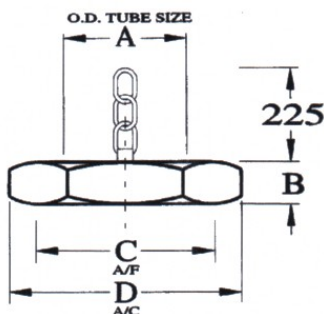


SIZE	DIM B	CODE
1"	48	B01-10
1 1/2"	47	B01-15
2"	47	B01-20
2 1/2"	47	B01-25
3"	47	B01-30
4"	66	B01-40

Cross Section of IDF Weld Union



IDF Blank Nut & Chain 316 / EN 20286-1



SIZE	DIM B	DIM C	DIM D	CODE
1"	30	46	54	B102-10
1 1/2"	30	60	69	B102-15
2"	30	76	87	B102-20
2 1/2"	30	91	104	B102-25
3"	30	106	120	B102-30
4"	30	133	152	B102-40