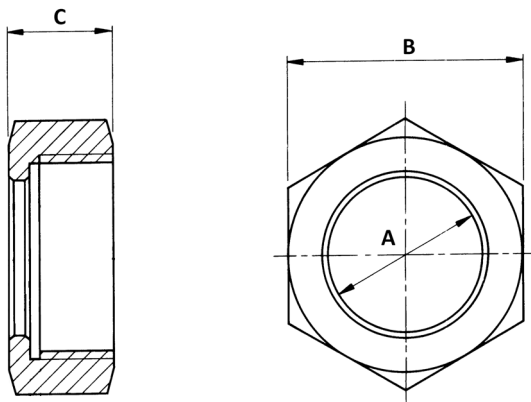


RJT/ILC Weld Fittings

A hygienic union based on a variation of the RJT union. Comprises of an RJT Nut, ILC Liner, ILC Male and ILC Joint Ring

RJT Nut 304 / EN 1.4301

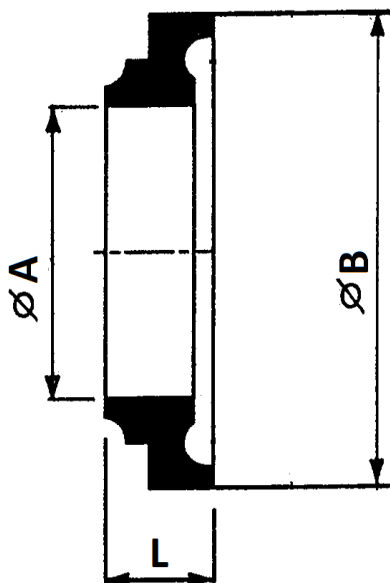


Tube OD		A	B	C	CODE
Inch	mm	mm	mm	mm	
1	25.4	33.3	50.8	22.2	A04-10
1.5	38.1	46.0	65.0	22.2	A04-15
2	50.8	58.7	79.4	22.2	A04-20
2.5	63.5	71.4	92.1	22.2	A04-25
3	76.2	84.1	104.8	22.2	A04-30
4	101.6	109.5	130.2	22.2	A04-40

Note: RJT unavailable in 0.5"/0.75", ILC have their own nuts similar to RJT in these sizes.

ILC Nut					
Tube OD		A	B	C	CODE
Inch	mm	mm	mm	mm	
0.5	12.7	17.5	27.8	13.4	I04-050
0.75	19.05	25.5	38	16	I04-075

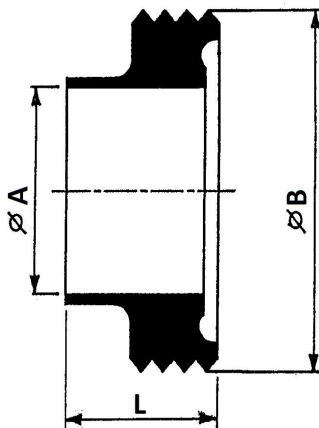
ILC Weld Liner



Tube OD		A	B	L	CODE
Inch	mm	mm	mm	mm	
0.5	12.7	9.5	19.8	16	I08-050
0.75	19.05	15.9	27.8	19	I08-075
1	25.4	25.65	41.3	21.5	I08-10
1.5	38.1	38.35	54.0	21.5	I08-15
2	50.8	51.05	66.6	21.5	I08-20
2.5	63.5	63.75	79.4	21.5	I08-25
3	76.2	76.45	92.1	21.5	I08-30
4	101.6	101.85	117.5	21.5	I08-40

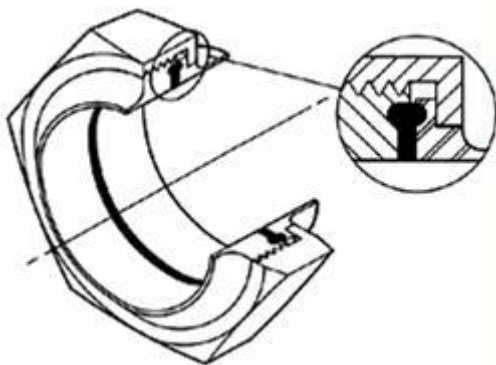
RJT/ILC Weld Fittings

ILC Weld Male



Tube OD		A	B	L	CODE
Inch	mm	mm	mm	mm	
0.5	12.7	9.5	22	16	106-050
0.75	19.05	15.9	30	19	106-075
1	25.4	22.2	45.72	21.5	106-10
1.5	38.1	34.9	58.42	21.5	106-15
2	50.8	47.6	72.72	21.5	106-20
2.5	63.5	60.3	85.42	21.5	106-25
3	76.2	73.0	98.12	21.5	106-30
4	101.6	97.6	123.52	21.5	106-40

ILC Weld Joint Ring



Tube OD		OD	ID	CODE
Inch	mm	mm	mm	
0.5	12.7	17.5	9.5	1100-050
0.75	19.05	25	15.9	1100-075
1	25.4	39	22.2	1100-10
1.5	38.1	51.7	34.9	1100-15
2	50.8	64.5	47.6	1100-20
2.5	63.5	77.5	60.3	1100-25
3	76.2	90	73.0	1100-30
4	101.6	114	97.6	1100-40

Operating Pressure

Tube OD (Inches)	1	1.5	2	2.5	3	4
Max. Operating Pressure (Bar)	40	40	30	24	20	19