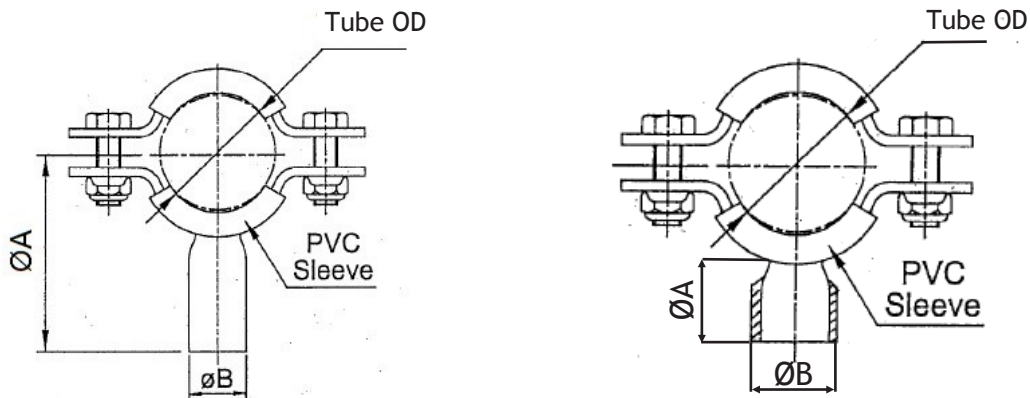


## Pipe Clips

### Anti-vibration Pipe Clip

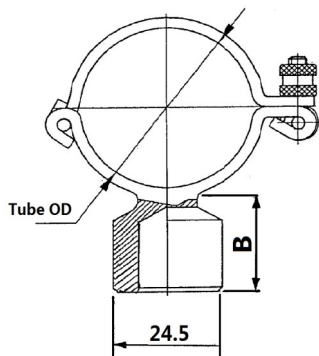


Tube OD		Stem Weld			M10 Boss			1/2" BSP		
		Dim A	Dim B	Code	Dim A	Dim B	Code	Dim A	Dim B	Code
Inch	mm	mm	mm		mm	mm		mm	mm	
0.5	12.7	90	16	A111-050	28	24.5	A110-05	28	24.5	A114-05
0.75	19.0	90	16	A111-075	28	24.5	A110-075	28	24.5	A114-075
1	25.4	90	19	A111-10	28	24.5	A110-10	28	24.5	A114-10
1.5	38.1	90	19	A111-15	28	24.5	A110-15	28	24.5	A114-15
2	50.8	90	19	A111-20	28	24.5	A110-20	28	24.5	A114-20
2.5	63.5	90	19	A111-25	28	24.5	A110-25	28	24.5	A114-25
3	76.2	90	19	A111-30	28	24.5	A110-30	28	24.5	A114-30
3 NB	88.9	90	19	*	28	24.5	A110-35	28	24.5	*
4	101.6	90	19	A111-40	28	24.5	A110-40	28	24.5	A114-40
4 NB	101.6	90	19	*	28	24.5	A110-45	28	24.5	*
5	129	150	19	A111-50	28	24.5	*	28	24.5	*
6	154	150	19	A111-60	28	24.5	*	28	24.5	*
8	204	150	19	A111-80	28	24.5	*	28	24.5	*

**Note: Further options for size and connection are available, for more information please contact the sales office.**

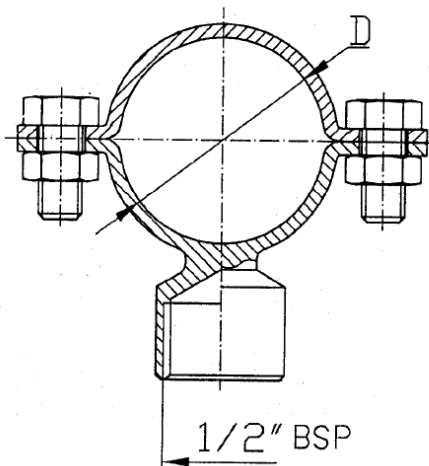
## Pipe Clips

### Hinged Pipe Clip



Tube OD		B	Code	
Inch	mm		1/2" BSP	M12 Boss
0.5	12.7	28	A112-050	*
0.75	19.0	28	A112-075	*
1	25.4	28	A112-10	A113-10
1.5	38.1	28	A112-15	A113-15
2	50.8	28	A112-20	A113-20
2.5	63.5	28	A112-25	A113-25
3	76.2	28	A112-30	A113-30
4	101.6	28	A112-40	A113-40

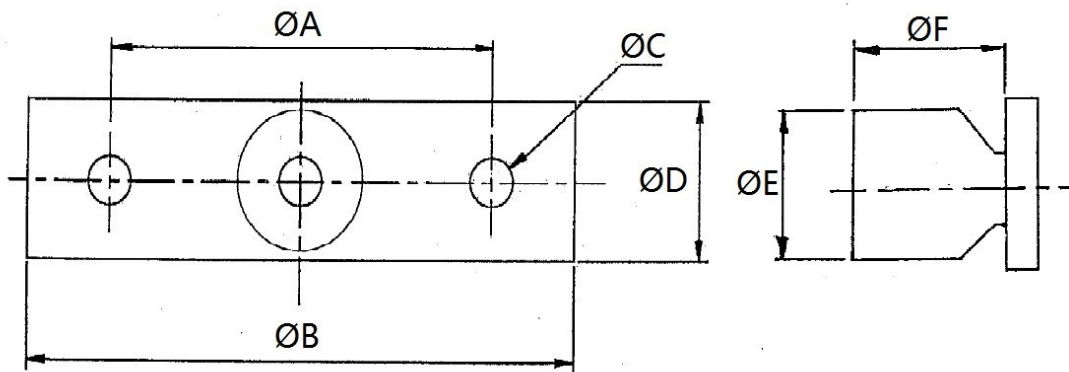
### Bolted Pipe Clip



Tube OD		Bolt & Nut	Thick	Width	Code
Inch	mm				1/2" BSP
0.5	12.7	M8x25	2.5	20	A114-05
0.75	19.0	M8X25	2.5	20	A114-075
1	25.4	M8X25	2.5	20	A114-10
1.5	38.1	M8X25	2.5	20	A114-15
2	50.8	M8X25	2.5	20	A114-20
2.5	63.5	M8X30	3	20	A114-25
3	76.2	M8X30	3	20	A114-30
3" NB	88.9	M8X30	4	20	A114-35
4	101.6	M8X30	4	20	A112-40
4" NB	114.3	M8X30	4	20	A114-45

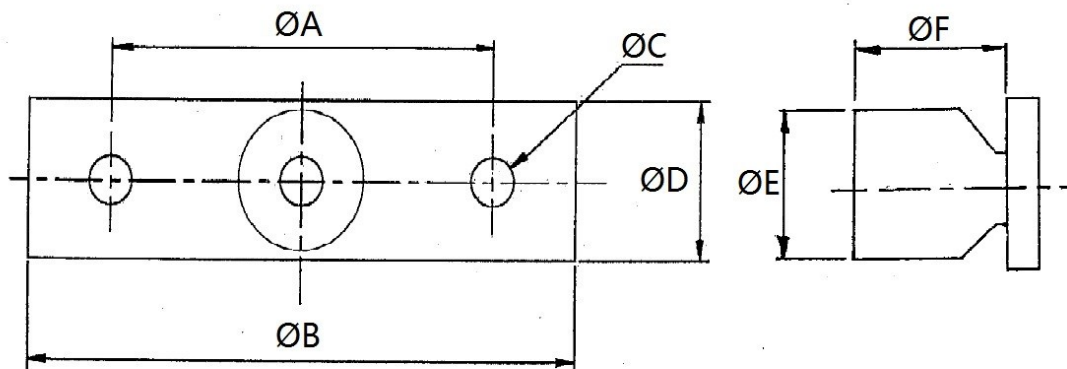
## Pipe Clips

### M10 Back Plate



A	B	C	D	E	F	M10
mm	mm	mm	mm	mm	mm	Code
53	75	6	25	24.5	28	A110-02

### 1/2" BSP Male Back Plate



A	B	C	D	E	F	1/2" BSP
mm	mm	mm	mm	mm	mm	Code
40	60	9	25	21.3	35	A114-02