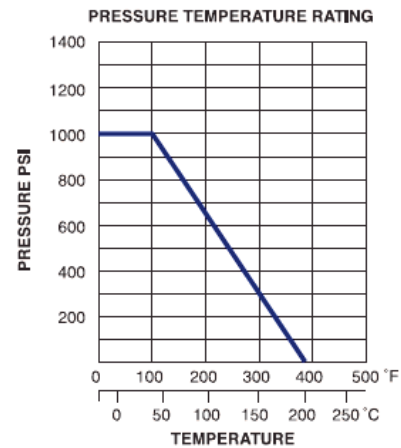
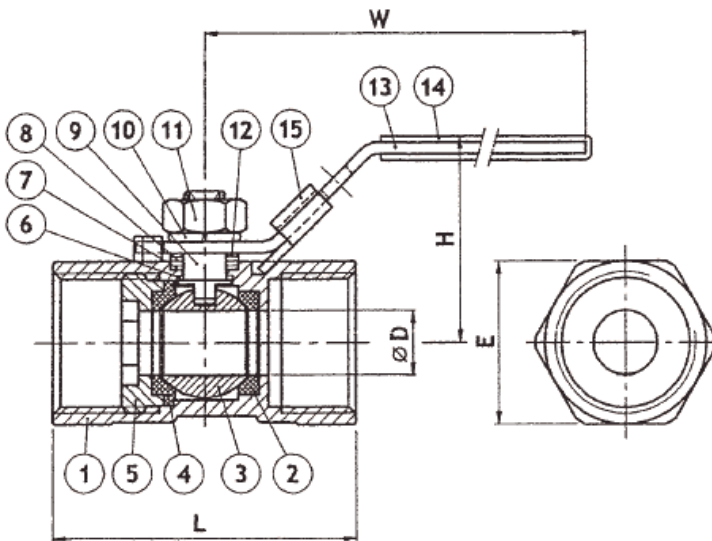


Ball Valve—1 Pce BSP



Features

- Investment Casting
- Blow-out Proof Stem Design
- Pressure Rating: 1000 PSI / PN 63
- Temperature Range: -20°C~+180°C
- Pipe Thread: DIN 2999, DIN 259, BSP, NPT
- Material: SS316/ 1.4408 EN 10213-4 / ASTM A-351 Gr CF8M S45C/ 1.0619 EN 10213-2/ ASTM A-216 Gr WCB



SIZE		ØD	E	H	L	W
Inch	DN					
1/4"	8	5	17	30	39	70
3/8"	10	6.8	21	34	44	90
1/2"	15	9.2	25	41	56.5	100
3/4"	20	12.5	32	44	59	100
1"	25	15	38	50	71	110
1.1/4"	32	20	48	55	78	110
1.1/2"	40	25	53	64	83	135
2"	50	32	65	71	100	145

No. Part Name	QTY (PC)	Material	
		SS316	WCB
1 Body	1	SS316	WCB
2 Seat	1	PTFE	PTFE
3 Ball	1	SS316	SS316
4 Seat	1	PTFE	PTFE
5 Insert	1	SS316	SS41
6 Thrust Washer	1	PTFE	PTFE
7 Stem Packing	1	PTFE	PTFE
8 Washer	1	SS304	SS304
9 Stem	1	SS316	SS316
10 Spring Washer	1	SS304	SS304
11 Stem Nut	1	SS304	SS304
12 Bevel Washer	1	SS304	SS304
13 Handle	1	SS304	SS304
14 Handle Cover	1	Plastic	PLASTIC
15 Locking Device	1	SS304	SS304