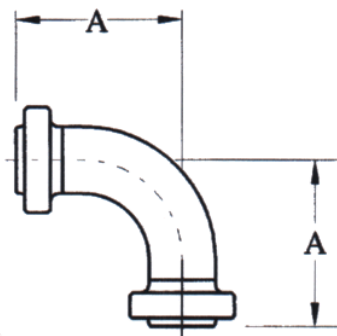


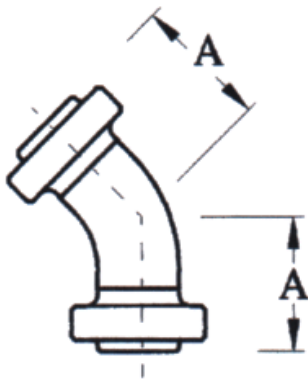
IDF Fitted Bends

90° Bend MxM



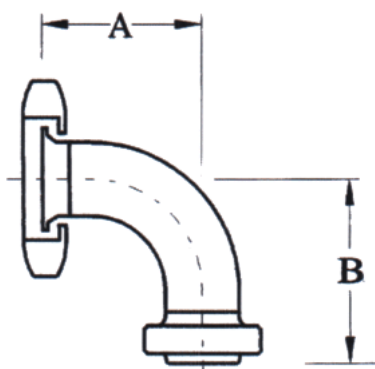
SIZE	DIM A	CODE
1"	65	B163-10
1.5"	85	B163-15
2"	110	B163-20
2.5"	135	B163-25
3"	155	B163-30
4"	204	B163-40

45° Bend MxM



SIZE	DIM A	CODE
1"	51	B166-10
1.5"	58	B166-15
2"	67	B166-20
2.5"	73	B166-25
3"	83	B166-30
4"	135	B166-40

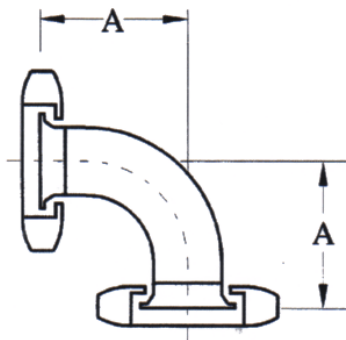
90° Bend MxF



SIZE	DIM A	DIM R	CODE
1"	65	65	B162-10
1 1/2"	85	85	B162-15
2"	110	110	B162-20
2.5"	135	135	B162-25
3"	155	155	B162-30
4"	204	204	B162-40

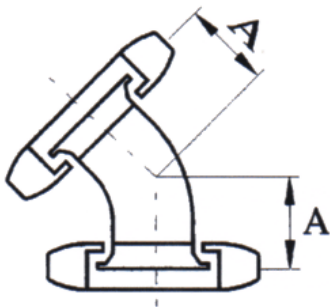
IDF Fitted Bends

90° Bend FxF



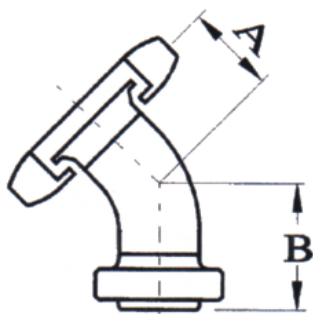
SIZE	DIM A	CODE
1"	65	B164-10
1.5"	85	B164-15
2"	110	B164-20
2.5"	135	B164-25
3"	155	B164-30
4"	204	B164-40

45° Bend FxF



SIZE	DIM A	CODE
1"	51	B167-10
1 1/2"	58	B167-15
2"	67	B167-20
2.5"	73	B167-25
3"	83	B167-30
4"	135	B167-40

45° Bend MxF



SIZE	DIM A	DIM R	CODE
1"	51	51	B165-10
1 1/2"	58	58	B165-15
2"	67	67	B165-20
2.5"	73	73	B165-25
3"	83	83	B165-30
4"	135	135	B165-40