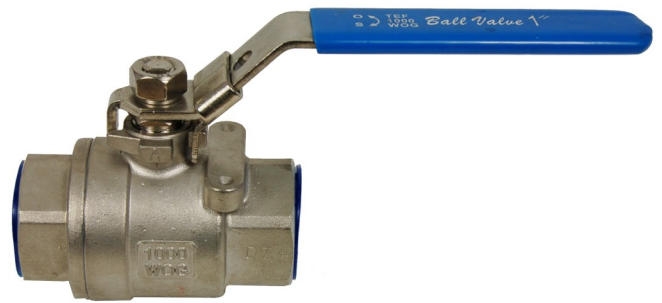
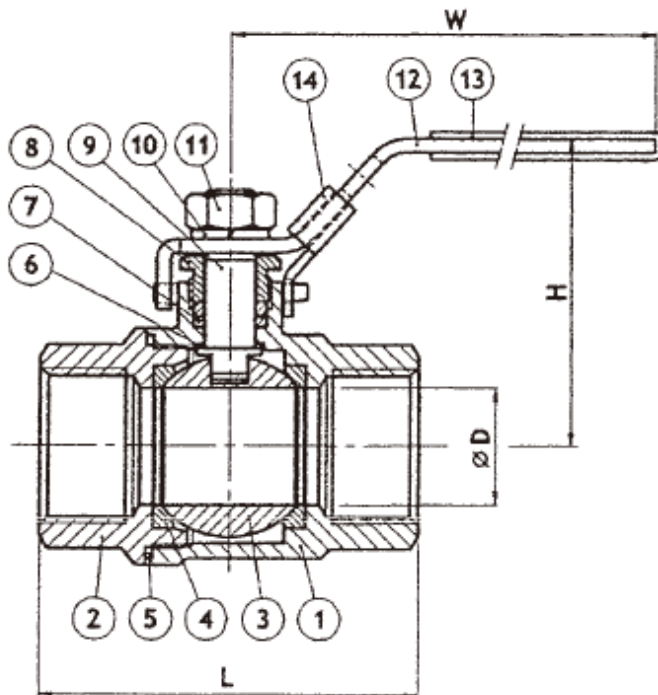


Ball Valve

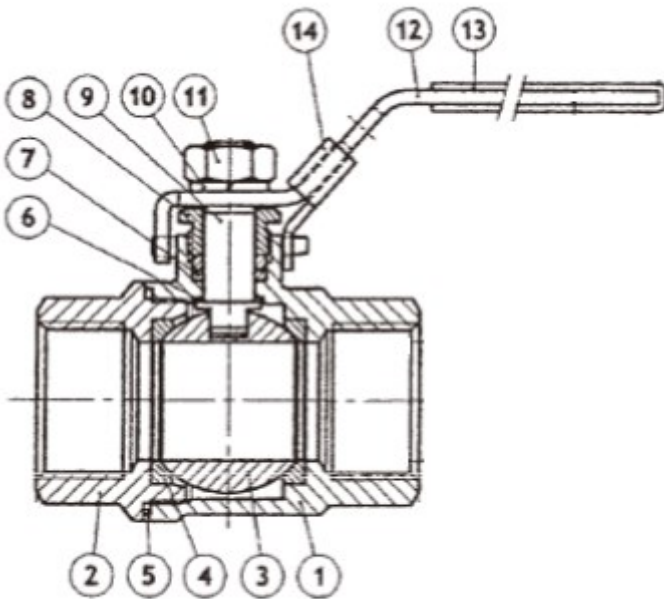
2 Piece, Full Bore, BSP Female



Size		C	D	A	B	Code
Inch	mm	mm	mm	mm	mm	
1/4"	8	12.8	51	49	95	SV02-02
3/8"	10	12.8	51	49	95	SV02-03
1/2"	15	15	55	57	95	SV02-04
3/4"	20	20	59	65	110	SV02-06
1"	25	25	73	78	135	SV02-10
1.1/4"	32	32	78	90.5	135	SV02-12
1.1/2"	40	38	91	105	165	SV02-15
2"	50	50	99	127	165	SV02-20
2.1/2"	65	65	130	160	215	SV02-25
3"	80	80	142	180	215	SV02-30

Ball Valve

2 Piece, Full Bore, BSP Female



No.	Part Name	QTY (PC)	Material	
			SS316	WCB
1	Body	1	SS316	WCB
2	End Cap	1	SS316	WCB
3	Ball	1	SS316	SS316
4	Seat	2	PTFE	PTFE
5	Joint Gasket	1	PTFE	PTFE
6	Thrust Washer	1	PTFE	PTFE
7	Stem Packing	2	PTFE	PTFE
8	Gland Nut	1	SS304	SS304
9	Stem	1	SS316	SS316
10	Stem Washer	1	SS304	SS304
11	Stem Nut	1	SS304	SS304
12	Handle	1	SS304	SS304
13	Handle Cover	1	Plastic	PLASTIC
14	Locking Device	1	SS304	SS304

Features

- Investment Casting
- Blow-out Proof Stem Design
- Pressure Rating: 1/4"~2" 1000PSI / PN63
2.1/2"~3" 1000PSI / PN40
- Temperature Range: -20°C~+180°C
- Pipe Thread: DIN 2999, DIN 259, BSP
- Material: SS316/ 1.4408 EN 10213-4 /
ASTM A-351 Gr CF8M S45C/ 1.0619 EN
10213-2/ ASTM A-216 Gr WCB
- Option Locking Device

PRESSURE TEMPERATURE RATING

