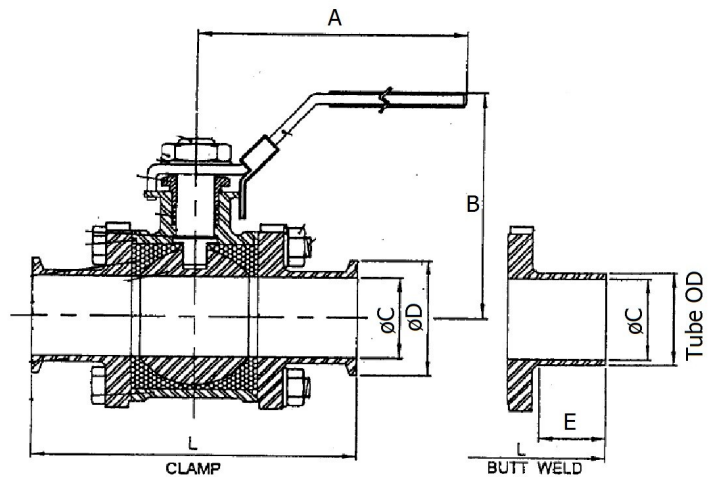


Sanitary Ball Valve

3 Piece, 2 way, Full Bore



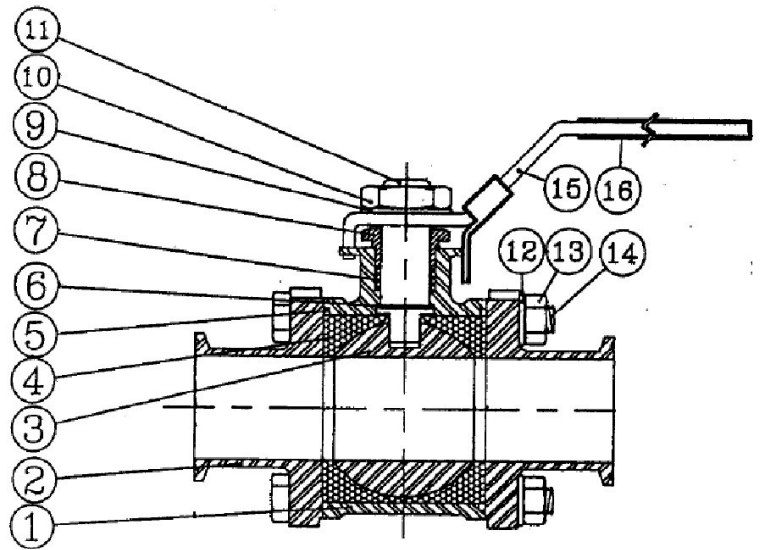
SIZE		A	B	øC	øD	E	L	L	L			Torque	
Inch	mm	mm	mm	mm	mm	mm	mm	mm	mm	mm	mm	Code	LBS
1/2"	12.7	106	52	9.5	25.2	18	89	SV05-04	89	SV06-04	N/A	N/A	40
3/4"	19.1	106	55	15.9	25.2	21	101	SV05-06	101	SV06-06	N/A	N/A	64
1"	25.4	135	70	22.2	50.5	25	114	SV05-10	114	SV06-10	167	SV11-10	130
1.5"	38.1	182	89	35.0	50.5	28	140	SV05-15	140	SV06-15	193	SV11-15	195
2"	50.8	182	97	47.6	64	25	156	SV05-20	156	SV06-20	209	SV11-20	250
2.5"	63.5	263	140	60.2	77.5	35	197	SV05-25	197	SV06-25	250	SV11-25	400
3"	76.2	263	152	73	91	43	229	SV05-30	229	SV06-30	282	SV11-30	600
4"	101.6	285	184	97.4	119	37	241	SV05-40	241	SV06-40	294	SV11-40	1200

Note: Dimensions for RJT Ends are approximate. RJT ends are measured overall, care must be taken to adjust for tube insertion when calculating pipe work. E & OE.

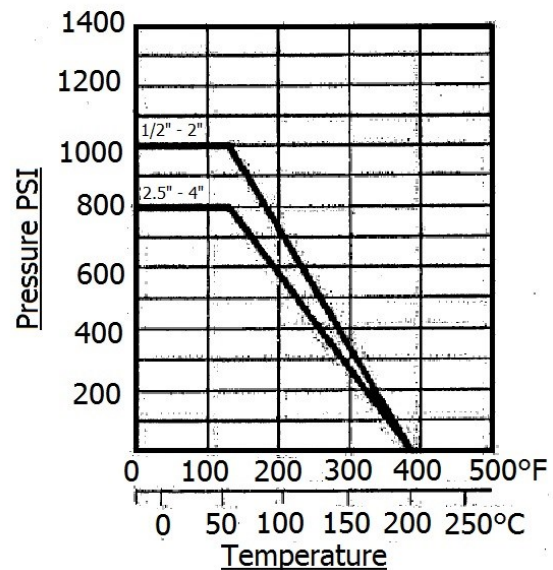
Sanitary Ball Valve

3 Piece, 2 way, Full Bore

No.	PART NAME	QTY	MATERIAL
1	Body	1	SS316
2	Cap	2	SS316
3	Ball	1	SS316
4	Seat	2	Pipe
5	Gasket	2	PTFE
6	Thrust Washer	1	PTFE
7	Stem Packing	1	SS304
8	Gland Nut	1	SS304
9	Handle Washer	1	SS304
10	Handle Nut	1	SS304
11	Stem	1	SS304
12	Bolt Washer	4 / 8 / 12	SS304
13	Nut	4 / 8 / 12	SS304
14	Bolt	4 / 6	SS304
15	Handle	1	SS304
16	Handle Cover	1	Plastic



Pressure Temperature Rating



- Investment Casting with blow out proof stem
- SS316/ EN10213 1.4408/ ASTM A-351 GR CF8M
- Temperature range of -20°C to 180°C
- Lockable handle as standard
- Available with a range of end connections
- Sanitary cavity filled seat design