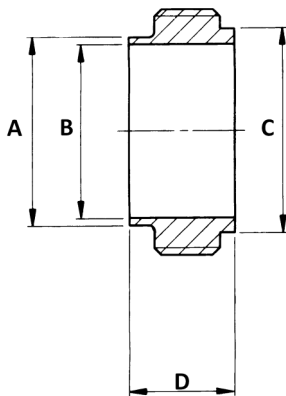


IDF Weld Fittings

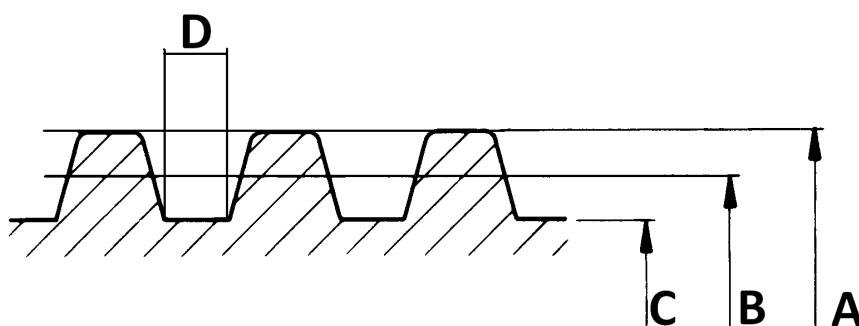
IDF Weld Male Part 316 / EN 20286-1



Tube OD		A	B	C	D	CODE
Inch	mm	mm	mm	mm	mm	
1	25.4	25.65	22.2	29.2	21.5	B06-10
1.5	38.1	38.35	34.9	42.7	21.5	B06-15
2	50.8	51.05	47.6	56.2	21.5	B06-20
2.5	63.5	63.75	60.3	69.9	21.5	B06-25
3	76.2	76.45	73.0	82.6	21.5	B06-30
4	101.6	101.85	97.6	111.1	30.0	B06-40

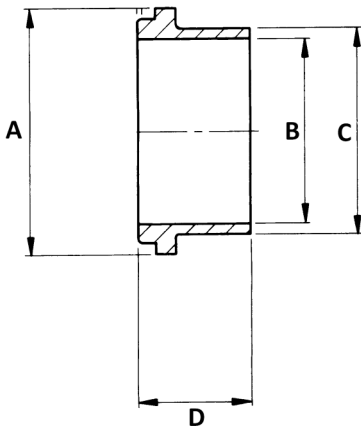
IDF Screw Threads For Male Parts

Tube OD		A		B		C		D
Inch	mm	max	min	max	min	max	min	mm
1	25.4	37.13	36.97	35.36	35.15	33.45	33.13	1.097
1.5	38.1	50.65	50.49	48.85	48.62	46.97	46.63	1.107
2	50.8	64.16	64.00	62.33	62.09	60.48	60.12	1.115
2.5	63.5	77.67	77.51	75.82	75.57	73.99	73.61	1.121
3	76.2	91.19	91.03	89.31	89.05	87.51	87.12	1.127
4	101.6	125.9	125.69	123.44	123.13	121.16	120.70	1.532



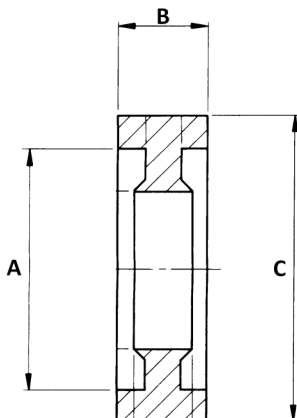
IDF Weld Fittings

IDF Liner 316 / EN 20286-1



Tube OD		A	B	C	D	CODE
Inch	mm	mm	mm	mm	mm	
1	25.4	33.8	22.2	25.65	21.5	B08-10
1.5	38.1	47.0	34.9	38.35	21.5	B08-15
2	50.8	60.5	47.6	51.05	21.5	B08-20
2.5	63.5	74.0	60.3	63.75	21.5	B08-25
3	76.2	87.5	73.0	76.45	21.5	B08-30
4	101.6	120.6	97.6	101.85	30.0	B08-40

IDF Seal

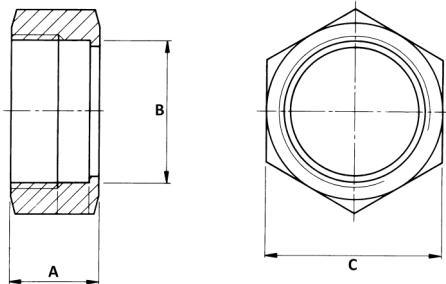


Tube OD		A	B	C	NITRILE
Inch	mm	mm	mm	mm	CODE
1	25.4	29.2	7.0	32.5	B100-10
1.5	38.1	42.7	7.0	46.0	B100-15
2	50.8	56.2	7.0	59.5	B100-20
2.5	63.5	69.9	7.0	73.2	B100-25
3	76.2	82.6	7.0	86.5	B100-30
4	101.6	111.0	9.6	119.0	B100-40

NOTE: The standard IDF Joint Ring is supplied in Nitrile, other materials available include EPDM, Viton & PTFE.

IDF Weld Fittings

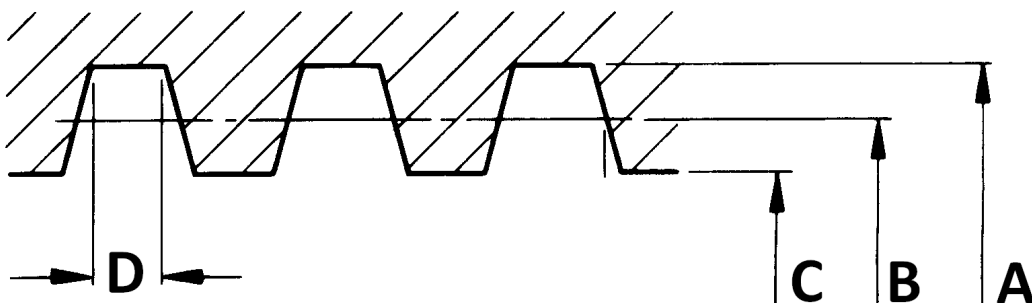
IDF Hex Nut 304 / EN 20286-1



Tube OD		A	B	C	CODE
Inch	mm	mm	mm	mm	
1	25.4	30	34.34	46	B04-10
1.5	38.1	30	47.86	60	B04-15
2	50.8	30	61.37	75	B04-20
2.5	63.5	30	74.88	90	B04-25
3	76.2	30	88.40	105	B04-30
4	101.6	35	122.00	133	B04-40

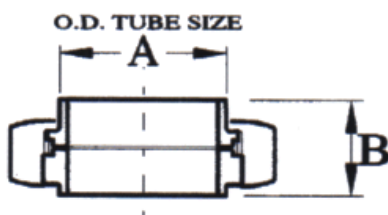
IDF Screw Threads For Nuts

Tube OD		A		B		C		D
Inch	mm	max	min	max	min	max	min	mm
1	25.4	38.53	38.02	36.12	35.91	34.49	34.34	1.042
1.5	38.1	52.05	51.54	49.66	49.43	48.01	47.86	1.1042
2	50.8	65.56	65.05	63.18	62.94	61.52	61.37	1.042
2.5	63.5	79.07	78.56	76.70	76.45	75.03	74.88	1.042
3	76.2	92.59	92.08	90.28	89.97	88.55	88.40	1.042
4	101.6	127.30	126.79	124.45	124.15	122.20	122.05	1.434



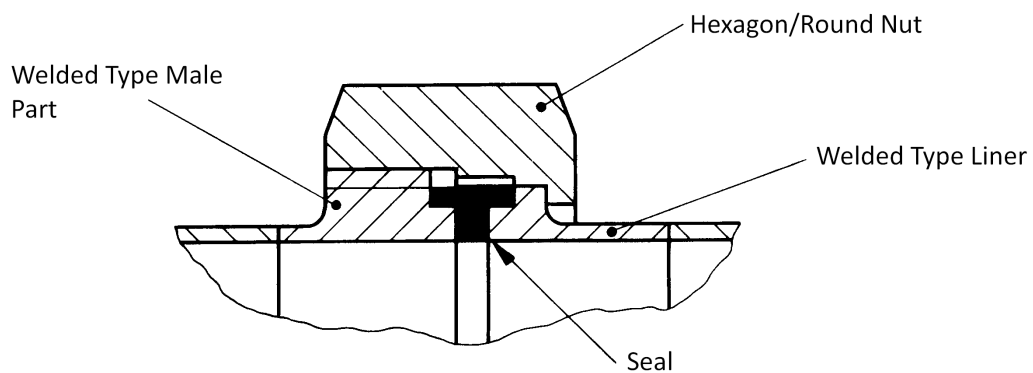
IDF Weld Fittings

IDF Weld Union 316 / EN 20286-1

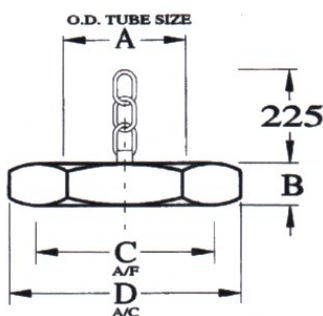


SIZE		DIM B	CODE
Inch	mm	mm	
1"	25.4	48	B01-10
1 1/2"	38.1	47	B01-15
2"	50.8	47	B01-20
2 1/2"	63.5	47	B01-25
3"	76.2	47	B01-30
4"	101.6	66	B01-40

Cross Section of IDF Weld Union



IDF Blank Nut & Chain 316 / EN 20286-1



SIZE		DIM B	DIM C	DIM D	CODE
Inch	mm	mm	mm	mm	
1"	25.4	30	46	54	B102-10
1 1/2"	38.1	30	60	69	B102-15
2"	50.8	30	76	87	B102-20
2 1/2"	63.5	30	91	104	B102-25
3"	76.2	30	106	120	B102-30
4"	101.6	30	133	152	B102-40