



I Application

The overflow valve is a valve used to perform pressure bypasses for safety purposes in order to protect lines, pumps, accessories, pools, etc.

With a sanitary design and fully manufactured in stainless steel, the 74700 valve is the most suitable option for protection of facilities in the dairies, food, beverages, pharmaceutical and fine chemicals industries.

I Operating principle

Under normal operating conditions, the valve remains closed.

The valve is calibrated to a specific pressure by regulating the spring with the pressure nut. The calibrated pressure is a maximum safety pressure defined to avoid damage of the plant.

When the pressure in the circuit exceeds the calibrated pressure, the valve opens letting the flow pass and reducing the pressure of the pipe system.

The valve can incorporate a handle designed to partially open the valve. When the handle is kept in the open position during the CIP process, the cleaning products can pass through the valve.

I Design and features

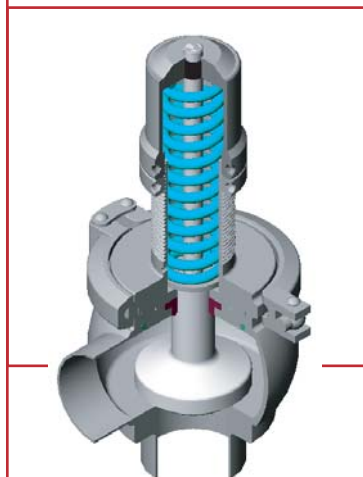
The valve is normally closed.

Easy manual adjustment.

Gaskets according to FDA.177.2600

Standard connections: DIN 11851

Available in diameters: DN25 to DN80



I Materials

Parts in contact with media	AISI 316L
Other parts in stainless steel	AISI 304L
Gaskets	EPDM according to FDA FDA.177.2600)
Internal surface finish	Ra < 0.8 µm
External surface finish	bright polish



I Options

Connections: FIL-IDF, BS-RJT, SMS, Clamp, flanges, Macon.

Gaskets available in NBR and FPM.

Several operating ranges (changing the spring).

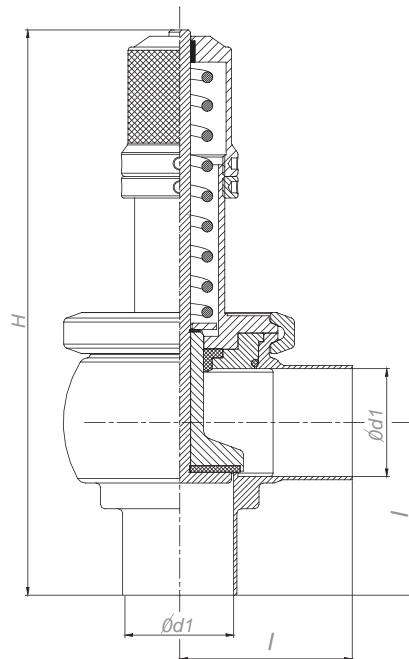
The assembly of the handle allows to partially open the valve in order to allow the passage of fluid for CIP cleaning (for use with positive displacement pump bypass).

Safety seal to identify the factory calibration.



I Technical specifications

Max. temperature	121°C (EPDM)	250°F
Max. operating pressure		
adjustable spring	0-3bar/0-6bar/0-10bar	0-43,5PSI/0-87PSI/0-145PSI



DIN	DN	d1	H	l
	25	26	219	50
	40	38	238	60
	50	50	252	70
	65	66	284	80
	80	81	301	90

INCHES	DN	d1	H	l
	1"	22,1	219	50
	1½"	34,8	238	60
	2"	47,5	252	70
	2½"	60,2	284	80
	3"	72,9	301	90

