



I Application

A tubular sight-glass is made of a stainless steel frame and a glass of the same section as the pipe. It allows an easy inspection of the product flow in the food-processing, cosmetics, pharmaceutical and fine chemicals industries.

I Design and features

- Attachment by self-locking nuts.
- Full bore design.
- 360° viewing angle.
- Vertical or horizontal assembly.
- Interchangeable side parts.

- Connections:
- Weld DIN 11850
 - Weld OD ASME BPE
 - Clamp DIN 32676
 - Clamp OD ASME BPE
 - Male DIN 11851

I Materials

- Side *AISI 316L (1.4404)*
- Stud *AISI 304L (1.4301)*
- Glass *Borosilicate according to ISO 3585 and ASTM E438 Type I, Class A*
- Gaskets *EPDM in compliance with FDA 21CFR 177.2600 and Regulation (EC) No 1935/2004*
- Surface finish *Sanitary polish, Ra ≤ 0,8 μm*

Glass protection



I Options

- Gaskets: *VMQ or FPM in compliance with FDA 21CFR 177.2600 and Regulation (EC) No 1935/2004.*
- Connections: *DIN, FIL-IDF, BS-RJT, SMS, Clamp, Flanges, Macon, etc.*
- Glass protection.



I Technical specifications

Available sizes	DN 25 - DN 150	DN 1" - DN 6"
Max. working temperature		
EPDM gasket	-10°C to +120°C	14°F to 248°F
	+140°C (SIP, max. 30 min)	284°F

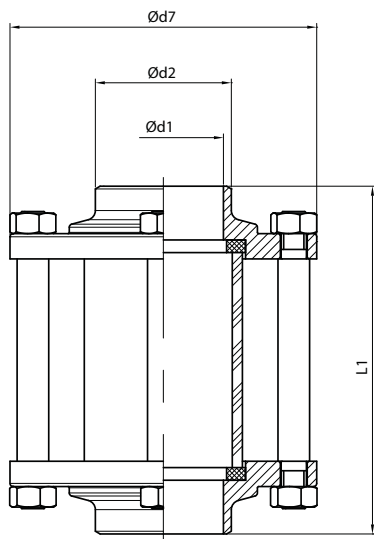
DN	25 - 1"	32	40 - 1½"	50 - 2"	65 - 2½"	80 - 3"	100 - 4"	125	150 - 6"
Sight glass with borosilicate glass	10	10	10	8	7	6	5	4	3

(Temperatures and pressures are approximate and depend on the product and gasket type.)

I Dimensions

Weld connections, metric pipe according to DIN 11850

DN	ød1	ød2	Ød7	L1	Weight [kg]
25	26	31	87	90	0,9
32	32	37	92	102	1
40	38	43	97	110	1,1
50	50	55	110	125	1,4
65	66	72	127	142	1,8
80	81	87	142	142	2,2
100	100	106	162	180	2,8
125	125	131	190	190	5,3
150	150	157	240	218	7,7



(Dimensions in mm)

Weld connections, OD pipe according to ASME BPE

DN	ød1	ød2	Ød7	L1	Weight [kg]
1"	22,1	28	87	90	1
1½"	34,8	40	97	110	1,2
2"	47,5	53	110	125	1,5
2½"	60,2	66,3	118	142	1,7
3"	72,9	78,9	131	142	1,9
4"	97,4	106	162	180	3,1
6"	146,8	154	240	218	7,9

(Dimensions in mm)

